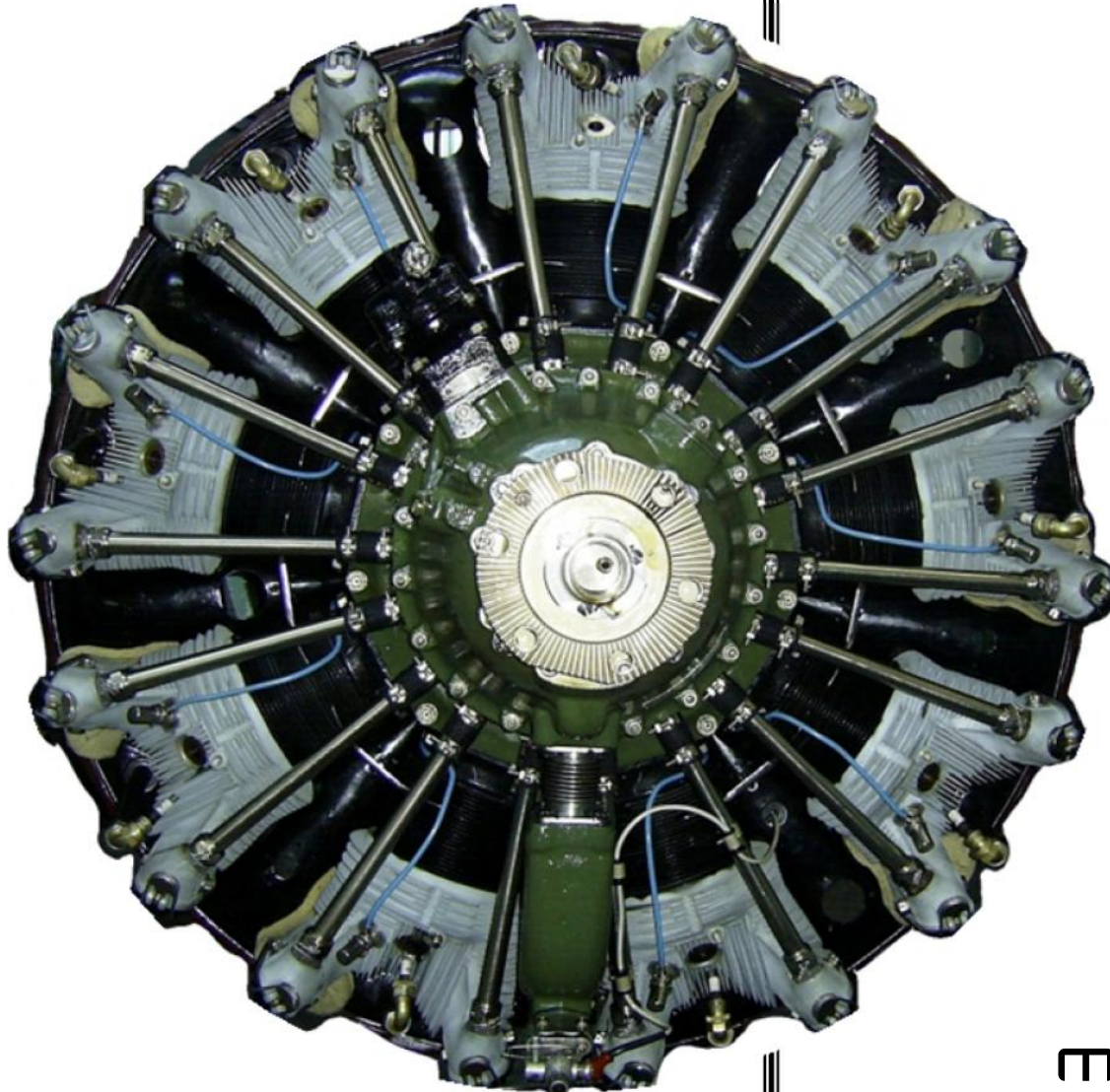


AIRCRAFT ENGINE

M-14P

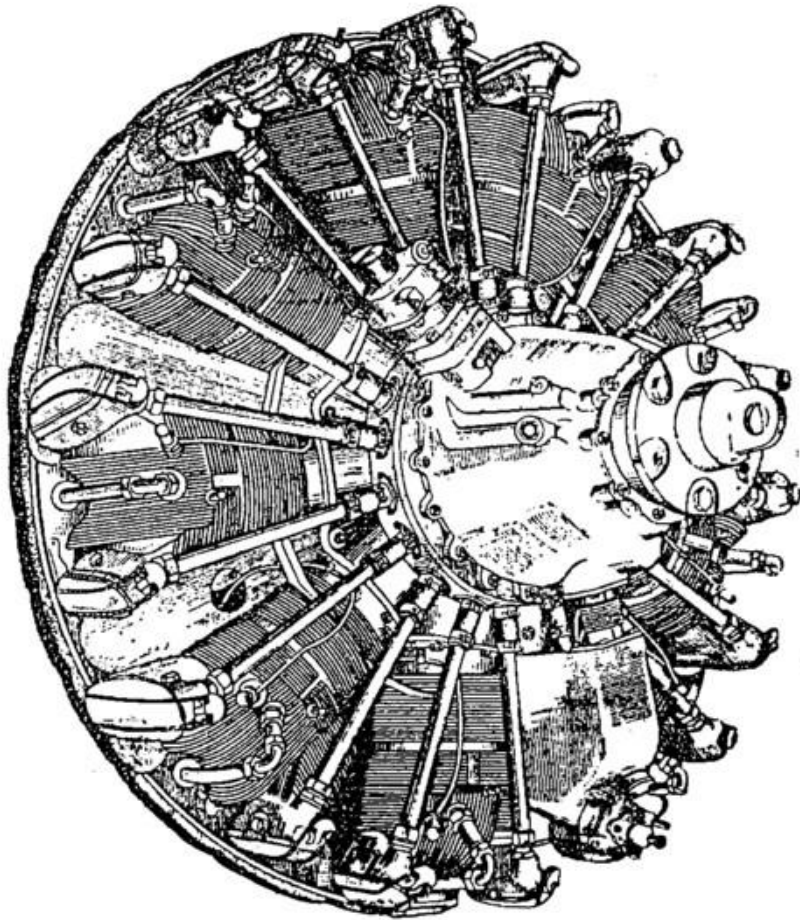


***PARTS
CATALOG***

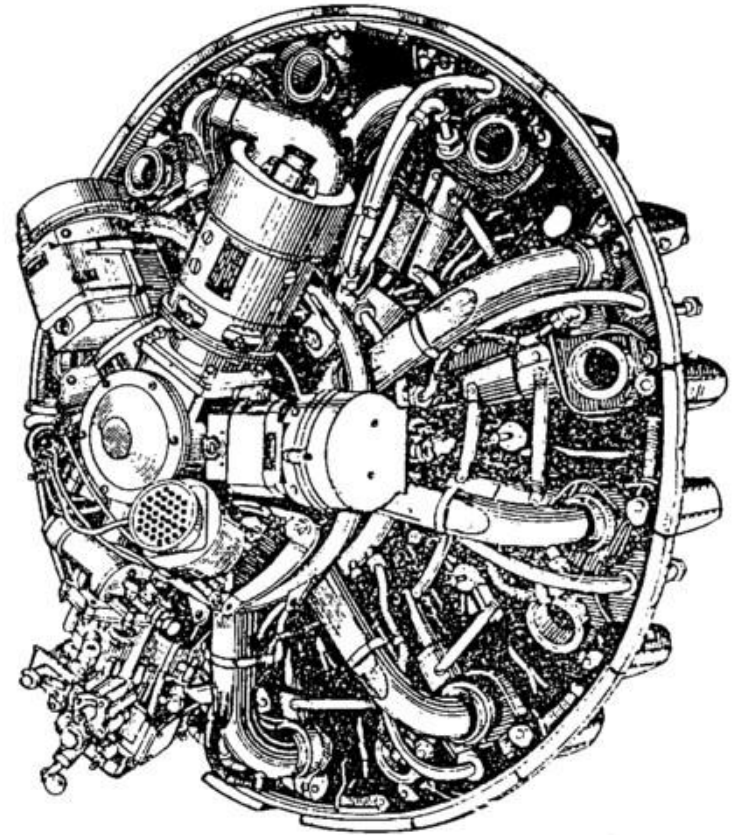


MOTORSTAR®

AIRCRAFT ENGINE M-14P



FRONT VIEW



BACK VIEW

Table of contents**Pag.**

1.	Engine accessories	4
2.	Propeller gear reduction assembly.....	8
3.	Crankcase front cover, main crankcase, crankshaft and connecting rod assemblies.....	12
4.	Cylinder, piston and intake tube assemblies.....	18
5.	Valve assembly.....	22
6.	Cam and push rod assemblies.....	26
7.	Engine baffling.....	31
8.	Supercharger and rear crankcase assembly.....	34
9.	Nose case and chip detector assemblies	39
10.	Oil pump.....	43
11.	Accessory drive case.....	47
12.	Tachometer drive assembly.....	51
13.	Generator clutch assembly.....	54
14.	Generator drive assembly.....	57
15.	Magneto drive assembly.....	60
16.	Compressor drive assembly.....	63
17.	Ignition harness assembly.....	66
18.	Air compressor AK-50A.....	69
19.	Air start lines and cylinder start valves.....	74
20.	Air start distributor and drive.....	78

ENGINE ACCESSORIES

No.	Part number	Nomenclature	Assembly	U/a.
	14-000-400	Engine M-14P		1
1	11-08-40	Nut	14-000-400	1
2	14-17-03	Safety	14-000-400	4
	14-011-340	Hinder cover	14-000-400	1
3	00-03-52	Nut	14-011-340	6
4	00-07-51	Washer	14-011-340	6
5	00-07-53	Washer	14-011-340	4
6	00-12-07	Split	14-011-340	6
7	10-11-31	Gasket	14-011-340	4
8	11-08-39	Nut	14-011-340	4
9	11-08-40	Nut	14-011-340	6
10	11-08-56	Washer	14-011-340	6
11	11-08-57	Washer	14-011-340	4
12	14-11-546	Gasket	14-011-340	1
13	14-411-10	Gasket	14-011-340	1
14	14-950-390-02	Compressor AK-50A	14-011-340	1
15	15-40-52	Screw	14-011-340	6
16	26-115-01	Gasket	14-011-340	2
17	66-RD-1	Nut	14-011-340	6
18	6.65G.05 GOST 6402	Grower washer	14-011-340	6
19	8.65G.05 GOST 6402	Grower washer	14-011-340	6
20	54537	Washer	14-011-340	6
21	702ML	Fuel pump	14-011-340	1
22	M-9F	Magneto	14-011-340	2
23	GSR-3000M	Generating	14-011-340	1
25	1950A-14-20	Gasket	14-000-400	18
26	SD-49SMM	Spark plug	14-000-400	18
27	AK-14P	Carburettor	14-000-400	1
28	R-2 series a -II- a	Prop driver	14-000-400	1
29	8D2.966.064	Filter	14-000-400	1
30	14-011-270	Pipe-line	14-000-400	1

No.	Part number	Nomenclature	Assembly	U/a.
31	14-011-280	Pipe-line	14-000-400	1
32	14-711-38	Fitting	14-000-400	1
33	14-911-045	Fitting	14-000-400	2
34	11-08-272	Cover	14-000-400	1
35	62-17-73	Gasket	14-000-400	4
36	33M51-18-14,2-2	O-ring	14-000-400	1
37	33M51-22-14,2-1	O-ring	14-000-400	1

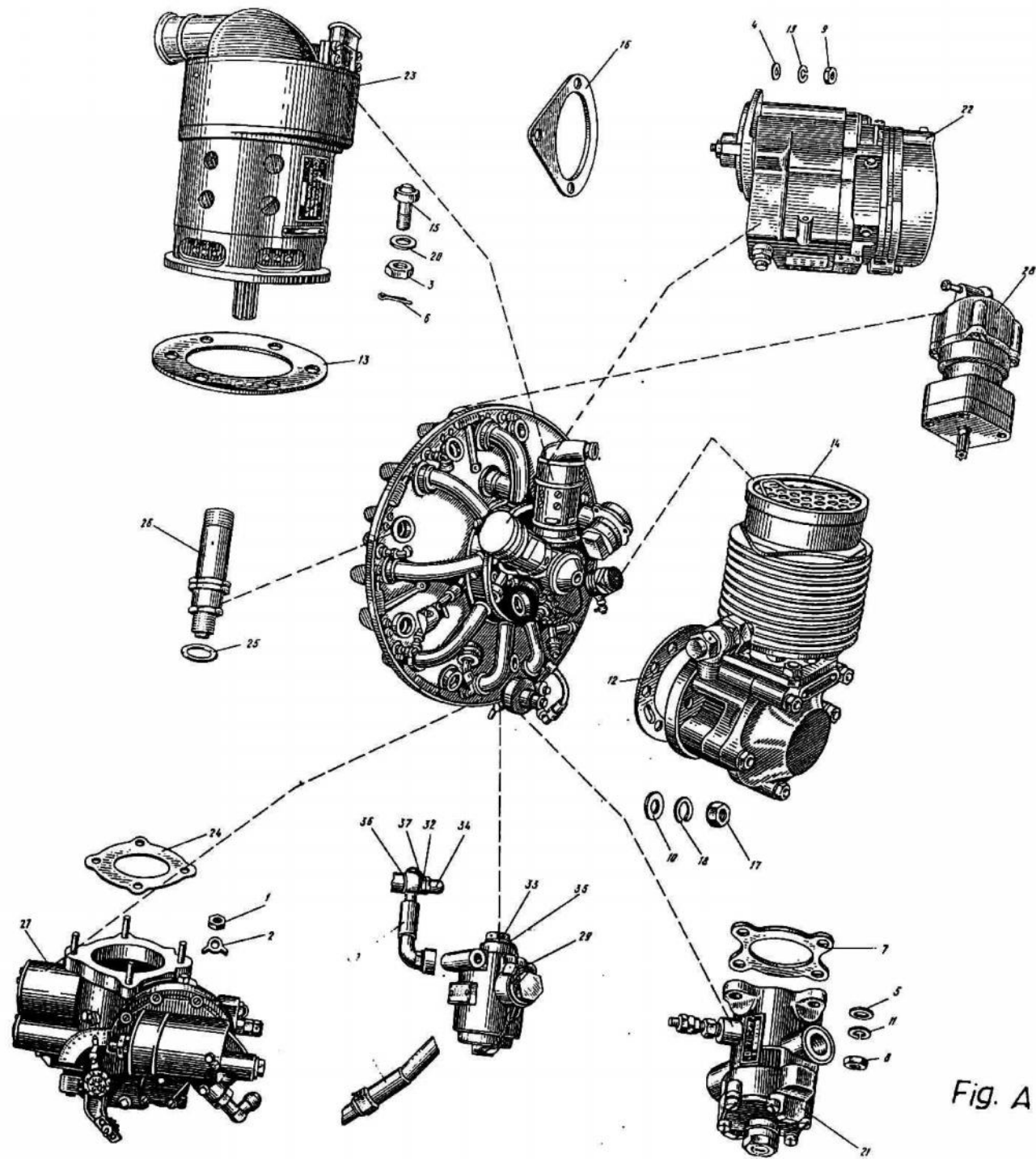


Fig. A 0-1

PROPELLER GEAR REDUCTION ASSEMBLY

No.	Part number	Nomenclature	Assembly	U/a.
	14-010-700	Reduction gear	14-000-400	1
1	00-03-58	Nut	14-010-700	2
2	00-05-51	Safety	14-010-700	2
3	00-05-54	Safety	14-010-700	15
4	00-12-504	Safety	14-010-700	15
5	00-711-05	Safety	14-010-700	9
6	10-01-25	Safety	14-010-700	1
7	11-08-40	Nut	14-010-700	4
8	11-08-58	Washer	14-010-700	1
9	12-01-39	Clip	14-010-700	1
10	12-01-92	Oil filter	14-010-700	1
11	14-01-527	Gasket	14-010-700	1
12	14-010-206	Bushing	14-010-700	1
13	14-010-457	Reduction gear cover	14-010-700	1
14	14-010-211	Bushing	14-010-700	1
15	14-010-212	Ring	14-010-700	1
16	14-010-214	Ring	14-010-700	6
17	14-010-216	O-ring	14-010-700	1
18	14-010-217	Nut	14-010-700	1
19	14-010-218	Safety	14-010-700	1
20	14-010-659	Propeller shaft	14-010-700	1
21	14-010-221	Gasket	14-010-700	1
22	14-010-452	Ring	14-010-700	1
23	14-010-300	Breather	14-010-700	1
	14-010-350	Packing rubber	14-010-700	1
25	14-010-223	Spring	14-010-350	1
26	14-010-360	Armature	14-010-350	1
27	14-010-372	Hub	14-010-700	1
28	14-010-373	Spider case	14-010-700	1
29	14-010-378	Bushing	14-010-700	1
30	14-010-680	Case	14-010-700	1

No.	Part number	Nomenclature	Assembly	U/a.
31	14-10-09	Ring	14-010-700	2
32	14-10-12	Plate	14-010-700	6
33	14-10-13	Screw	14-010-700	12
34	14-10-19	Pin	14-010-700	15
35	14-1021	Gasket	14-010-700	1
36	14-10-24	Pin	14-010-700	1
37	14-10-541	Gasket	14-010-700	2
38	14-610-193	Cover	14-010-700	1
39	14-710-29	Ring	14-010-700	1
40	14-710-30	Gear	14-010-700	1
41	14-710-31	Gear rim	14-010-700	1
42	14-910-009	Spider	14-010-700	6
43	14-910-011	Washer	14-010-700	12
44	14-610-957	Spider pin	14-010-700	6
45	14-610-492	Washer	14-010-700	6
46	26-11-17	Nut	14-010-700	15
47	26-28-23	Safety	14-010-700	1
48	66-RD-2	Nut	14-010-700	9
49	6.65G.05 GOST 6402	Grower washer	14-010-700	4
50	3151A-4-8	Screw	14-010-700	1
51	AK-05-001	Gasket	14-010-700	1
52	V214D1 ETU 100/1	Bearing	14-010-700	1
53	2,5x9,8 III ETU 100/7-u	Needle	14-010-700	396
54	KO 0,8 GOST 792	Safety wire	14-010-700	0,5 m

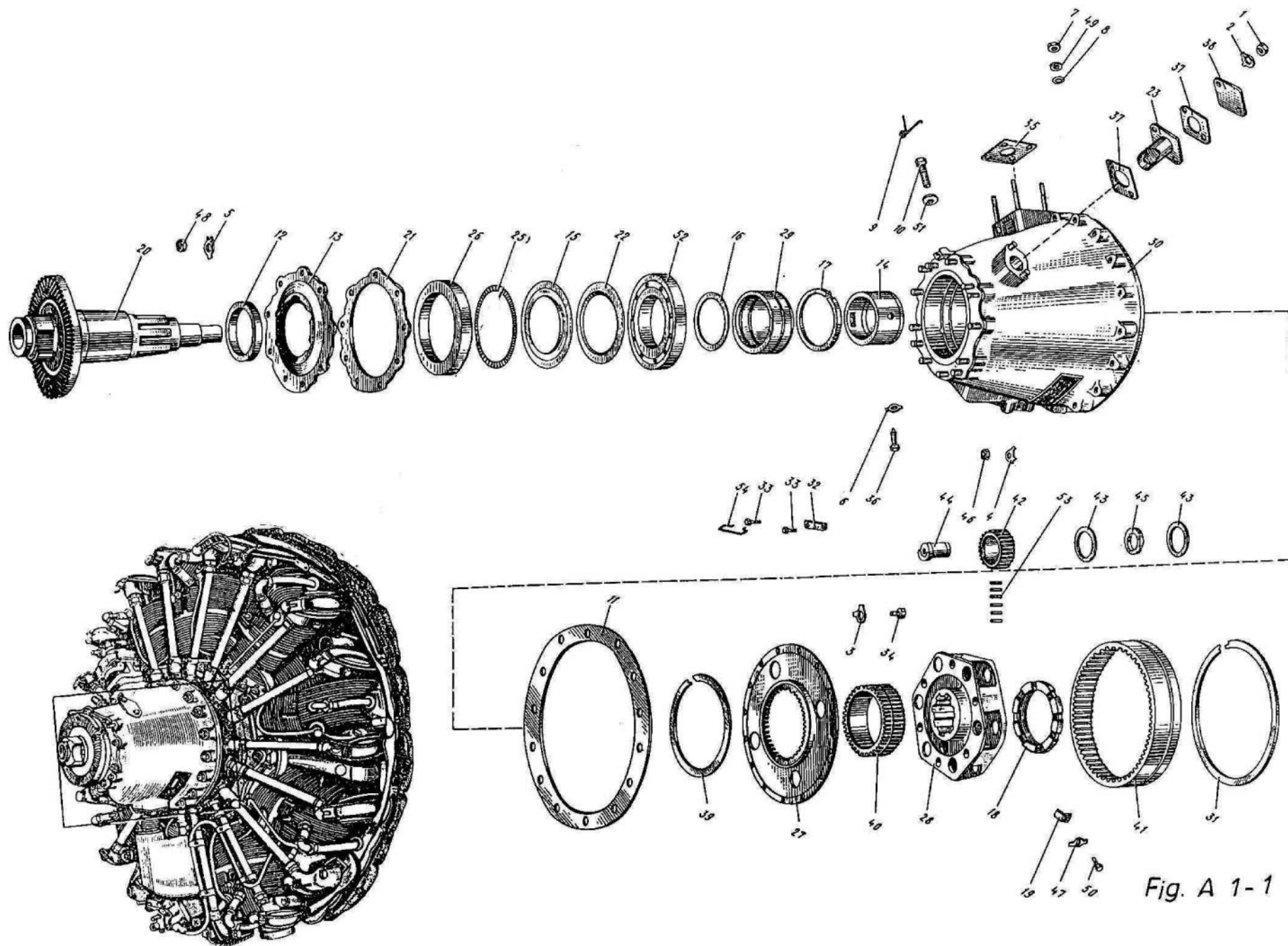
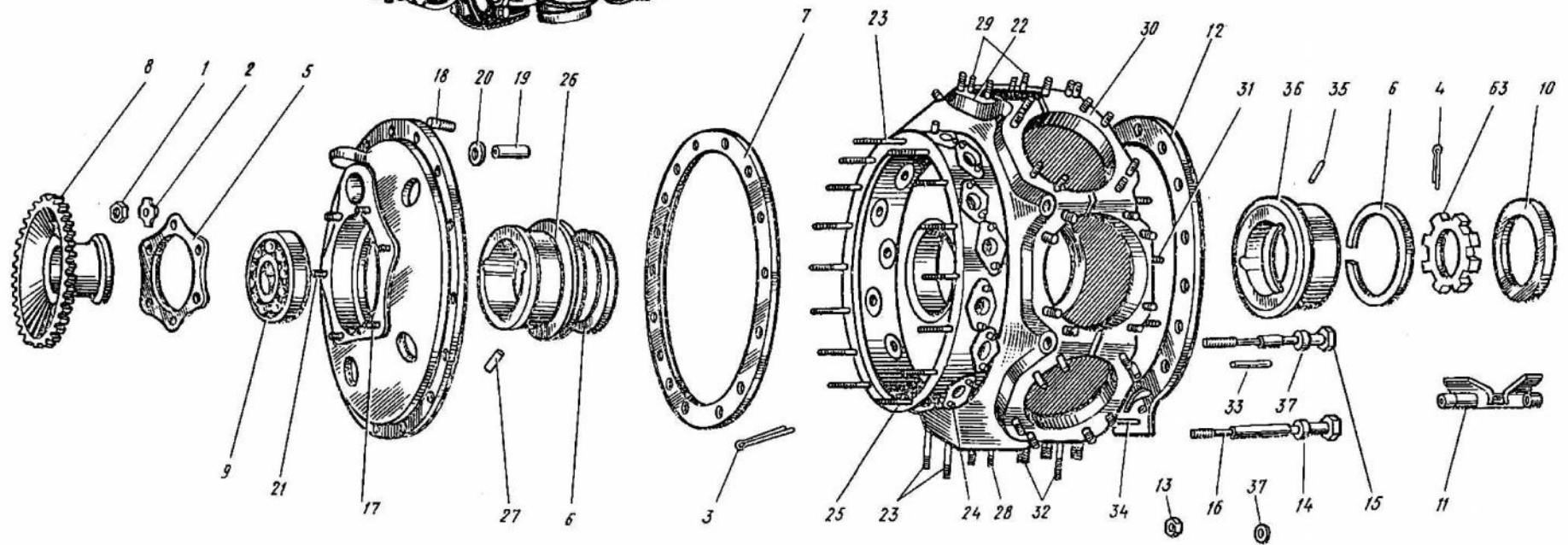
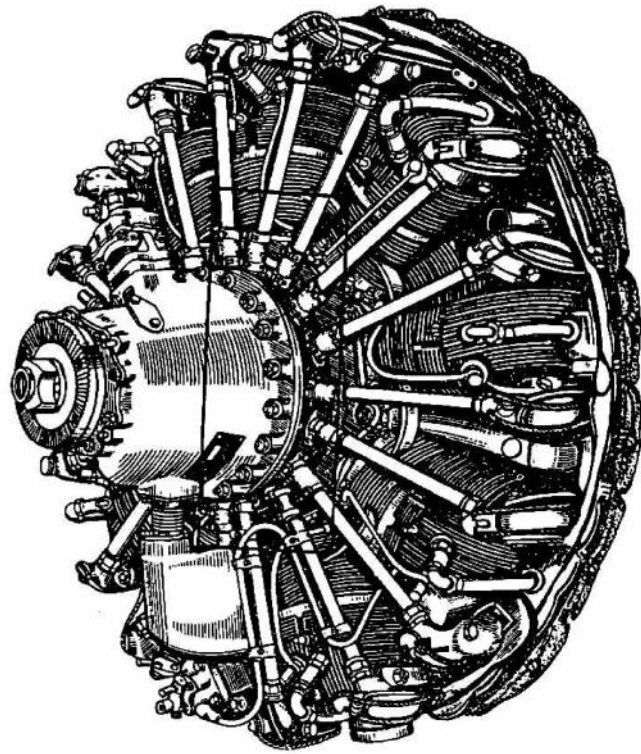
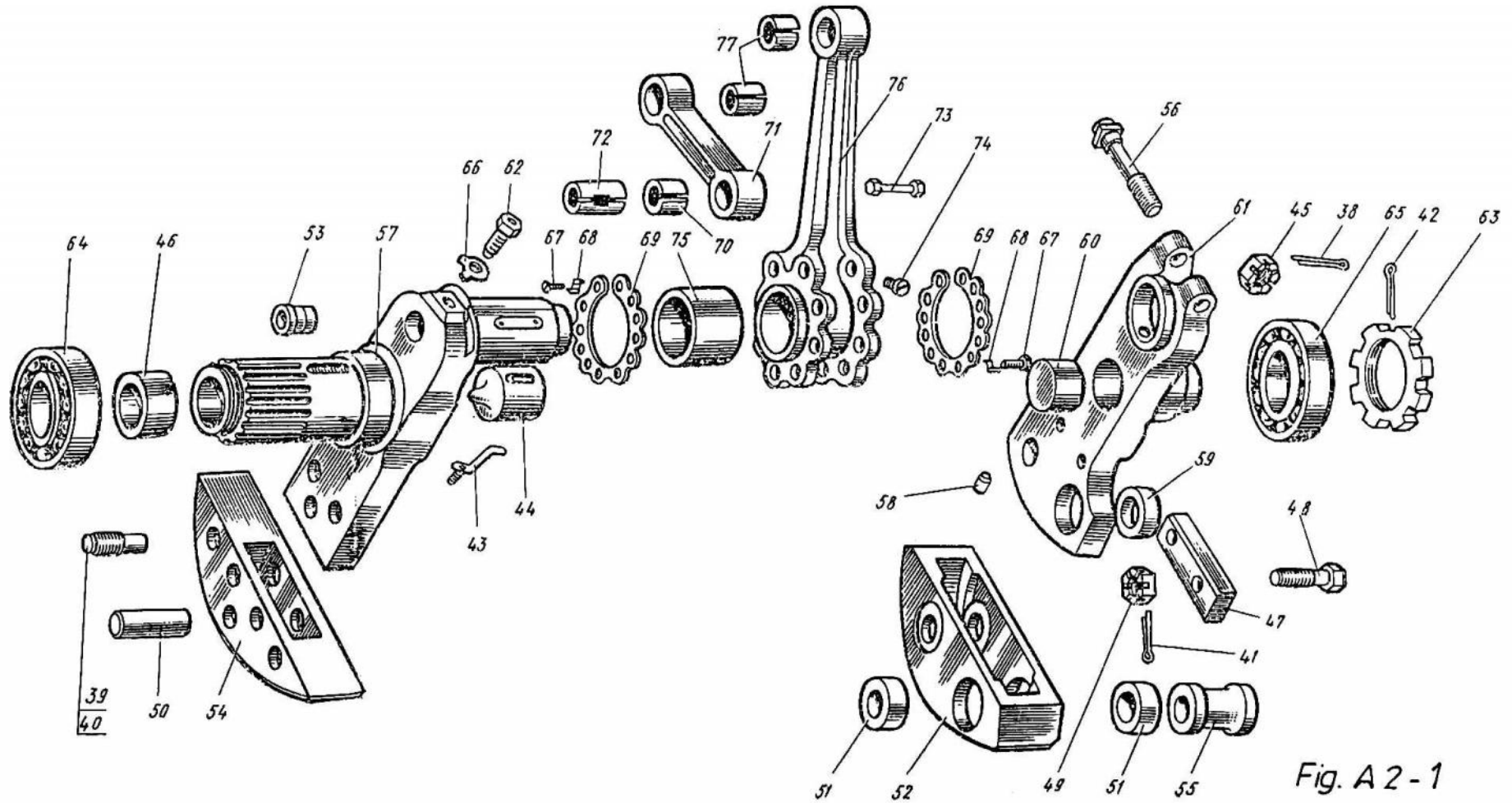


Fig. A 1-1

**CRANKCASE FRONT COVER, MAIN CRANKCASE,
CRANKSHAFT AND CONNECTING ROD ASSEMBLIES**





No	Part number	Nomenclature	Assembly	U/a
	14-000-400	Engine M-14P		1
1	00-03-58	Nut	14-000-400	6
2	00-05-51	Safety	14-000-400	6
3	00-12-07	Split	14-000-400	9
4	00-711-09	Split	14-000-400	1
5	14-01-22	Flange	14-000-400	1
6	14-01-33	Ring	14-000-400	2
7	14-01-527	Gasket	14-000-400	1
8	14-003-001	Hub	14-000-400	1
9	14-03-23	Bearing	14-000-400	1
10	14-03-45	Ring	14-000-400	1
11	14-601-102	Oil deflector	14-000-400	1
	14-901-310	Middle crankcase and cover	14-000-400	1
12	14-601-114	Gasket	14-000-400	1
13	00-03-52	Nut	14-901-310	9
14	00-07-500	Washer	14-901-310	1
15	14-01-04	Pin	14-901-310	8
16	14-601-103	Pin	14-901-310	1
17	14-901-180-01	Prior cover	14-901-310	1
18	00-01-519	Bolt	14-901-180-01	6
19	14-01-526	Pipe-line	14-901-180-01	1
20	14-301-04	Ring	14-901-180-01	2
21	62-10-53	Bolt	14-901-180-01	6
22	14-901-270-01	Prior semi-crankcase	14-901-310	1
23	00-01-505	Bolt	14-901-270-01	17
24	00-01-519	Bolt	14-901-270-01	36
25	00-01-541	Bolt	14-901-270-01	4
26	14-01-30	Case	14-901-270-01	1
27	14-01-506	Checking pin	14-901-270-01	3
28	14-401-02	Bolt	14-901-270-01	2
			14-901-180-01	2

No	Part number	Nomenclature	Assembly	U/a
29	14-701-12	Bolt	14-901-270-01 14-901-180-01	34 34
30	14-901-280	Hinder semi-crankcase	14-901-310	1
31	00-01-503	Bolt	14-901-280	11
32	00-01-505	Bolt	14-901-280	2
33	00-01-602	Bolt	14-901-280	2
34	00-601-01	Bolt	14-901-280	1
35	14-01-506	Checking pin	14-901-280	3
	14-01-506-01	Checking pin	14-608-20	3
36	14-701-07	Case	14-901-280	1
37	97-RD-6	Washer	14-901-310	17
	14-603-03	Shaft	14-000-400	1
38	00-711-10	Split	14-603-03	1
39	14-203-09	Plug	14-603-03	2
40	14-203-10	Plug	14-603-03	2
	14-603-02	Shaft	14-603-03	1
41	00-711-08	Split	14-603-02	2
42	00-711-09	Split	14-603-02	1
43	14-03-82	Checking pin	14-603-02	1
44	14-03-518	Plug	14-603-02	1
	14-603-01	Shaft	14-603-02	1
45	14-03-04	Nut	14-603-01	1
46	14-03-24	Bushing	14-603-01	1
47	14-03-53	Plate	14-603-01	1
48	14-03-54	Pin	14-603-01	2
49	14-03-55	Nut	14-603-01	2
50	14-03-514	Pin	14-603-01	3
	14-203-82	Counterweight	14-603-01	1
51	14-03-19	Bushing	14-203-82	4
52	14-203-07	Counterweight	14-203-82	1

No	Part number	Nomenclature	Assembly	U/a
53	14-703-10'	Plug	14-603-01	1
54	14-603-100	Counterweight	14-603-01	1
55	14-603-101	Pin	14-603-01	2
56	14-703-07	Bolt	14-603-01	1
57	14-703-13	Prior part of crankshaft	14-603-01	1
	14-703-108	Hinder shaft	14-603-01	1
58	10-03-25	Checking pin	14-703-108	1
59	14-03-18	Bushing	14-703-108	2
60	14-703-02	Cover	14-703-108	1
61	14-703-14	Hinder part of crankshaft	14-703-108	1
62	14-703-06	Injector	14-603-02	1
63	14-703-11	Nut	14-603-02	1
64	14-703-109	Bearing	14-603-02	1
65	14-703-110	Bearing	14-603-02	1
66	108365	Safety	14-603-02	1
	14-606-01	Connecting-rod assembly	14-901-310	1
67	12-06-13	Screw	14-606-01	18
68	26-06-12	Safety	14-606-01	18
69	14-06-11	Plate	14-606-20	2
	14-606-03	Auxiliary conneting-rod	14-606-01	8
70	14-06-502	Bushing	14-606-03	1
71	14-606-101	Auxiliary conneting-rod	14-606-03	1
	14-606-04	Pin	14-606-20	8
73	14-606-104	Cover	14-606-04	1
	14-606-20	Main conneting-rod	14-606-03	1
	14-606-27	Main conneting-rod	14-606-03	1
74	10-06-18	Checking pin	14-606-27	2
75	14-606-28	Bushing	14-606-27	1
76	14-606-111	Main conneting-rod	14-606-27	1
77	14-606-103	Bushing	14-606-27	9

CYLINDER, PISTON AND INTAKE TUBE ASSEMBLIES

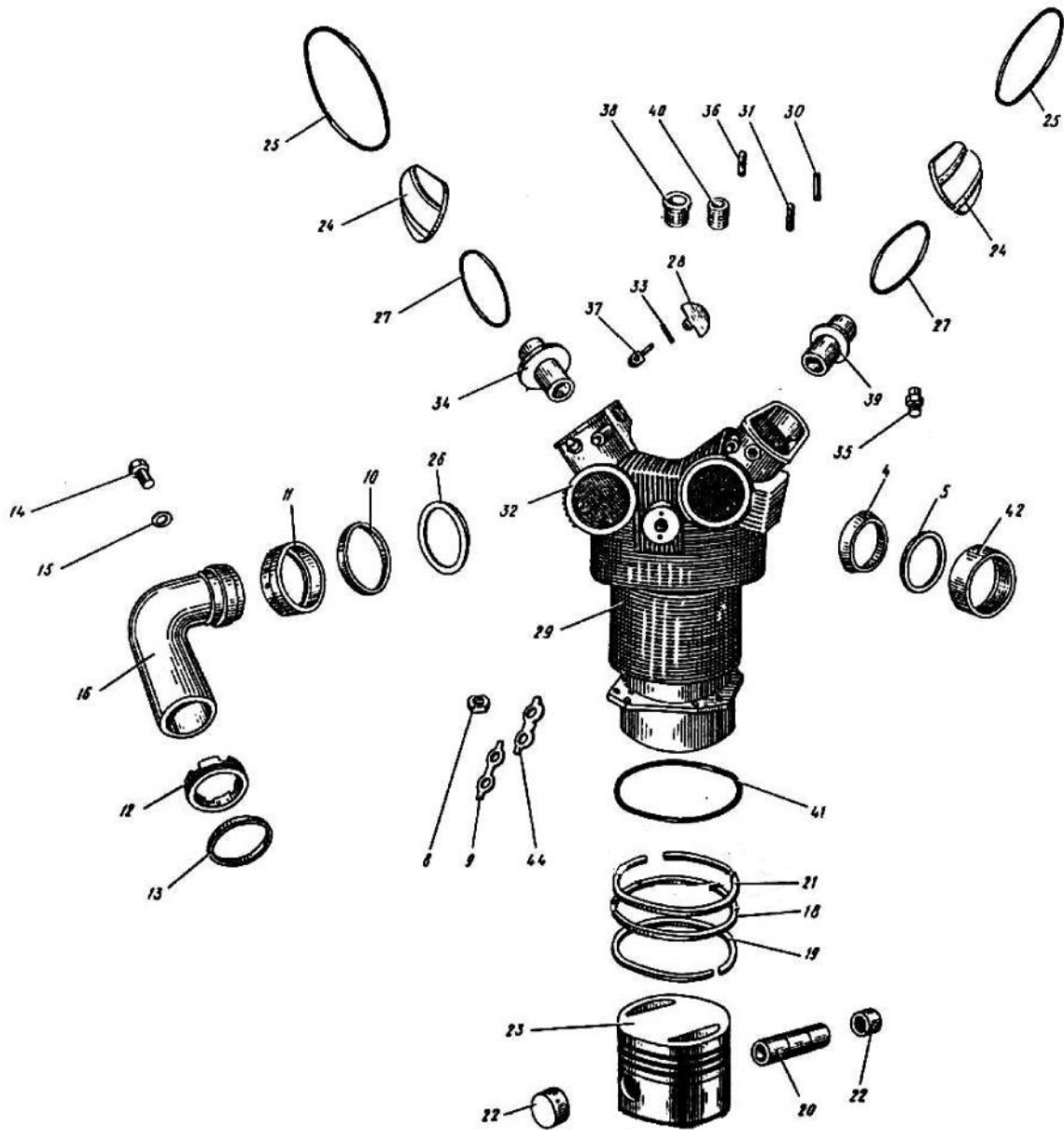
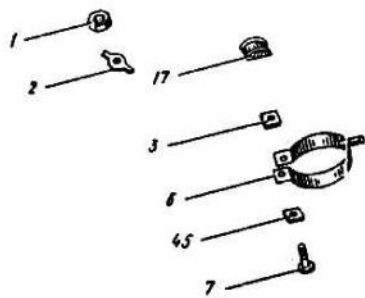
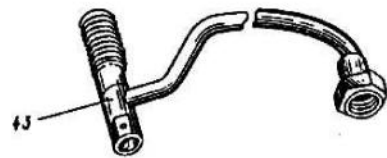
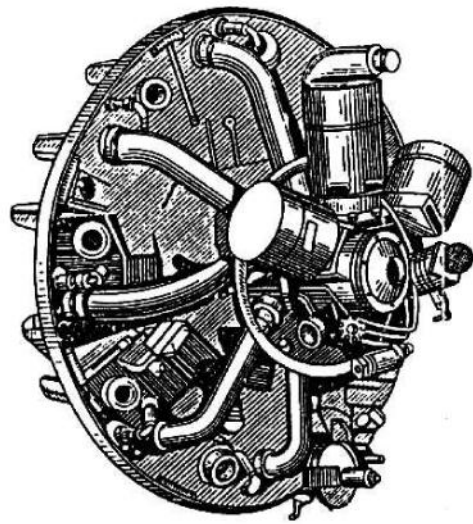


Fig. A3-1

No	Part number	Nomenclature	Assembly	U/a
	14-000-400	Engine M-14P		1
1	00-03-58	Nut	14-000-400	1
2	00-05-51	Safety	14-000-400	1
3	10-04-57	Nut	14-000-400	1
4	14-604-196	Flange	14-000-400	9
5	14-04-542	Gasket	14-000-400	9
6	14-04-576	Collar	14-000-400	1
7	14-07-09	Screw	14-000-400	1
8	14-204-15	Nut	14-000-400	72
9	14-204-16	Safety	14-000-400	27
	14-904-380	Pipe-line	14-000-400	1
10	10-04-22	Washer	14-604-56	1
11	10-04-24	Nut	14-604-56	1
12	10-04-25	Nut	14-000-400	9
13	10-04-26	Ring	14-000-400	9
14	14-904-028	Plug	14-904-380	1
15	14-904-033	Gasket	14-904-380	1
16	14-904-370	Pipe-line	14-904-380	1
	14-904-300-01	Pipe-line	14-000-400	2
16	14-904-290-01	Pipe-line	14-904-300-01	1
	14-604-56	Pipe-line	14-000-400	6
16	14-604-189	Pipe-line	14-604-56	1
17	14-604-192	Plug	14-000-400	10
	14-605-22SPC	Piston	14-000-400	9
18	14-05-514SPC	Piston ring	14-605-22SPC	1
19	14-05-517SPC	Piston ring	14-605-22SPC	1
20	14-605-120	Pin	14-605-22SPC	1
21	14-605-122SPC	Piston ring	14-605-22SPC	1

No	Part number	Nomenclature	Assembly	U/a
22	14-605-121	Plug	14-605-22SPC	2
23	14-605-103SPC	Piston	14-605-22SPC	1
	14-004-130	Cylinder	14-000-400	9
24	10-04-37	Cover	14-004-130	2
25	10-04-38	Cable	14-004-130	2
26	10-04-46	Gasket	14-004-130	1
27	14-04-513	Gasket	14-004-130	2
28	14-04-546	Nut	14-004-130	2
29	14-004-120	Cylinder	14-004-130	1
30	00-01-527	Bolt	14-004-120	1
31	00-01-530	Bolt	14-004-120	2
32	10-04-15	Fitting	14-004-120	1
33	14-04-514	Axle	14-004-120	2
34	14-04-538	Bushing	14-004-120	1
35	14-04-545	Fitting	14-004-120	2
36	14-204-03	Checking pin	14-004-120	6
37	14-204-11	Checking pin	14-004-120	2
38	14-204-14	Bushing	14-004-120	2
39	14-04-538	Bushing	14-004-120	1
40	26-104-03	Bushing	14-004-120	1
41	14-704-04	Gasket	14-000-400	9
42	14-704-13	Nut	14-000-400	9
43	14-717-107-01	Pipe-line	14-000-400	1
44	15-04-22	Safety	14-000-400	9
45	26-07-32	Washer	14-000-400	1

VALVE ASSEMBLY

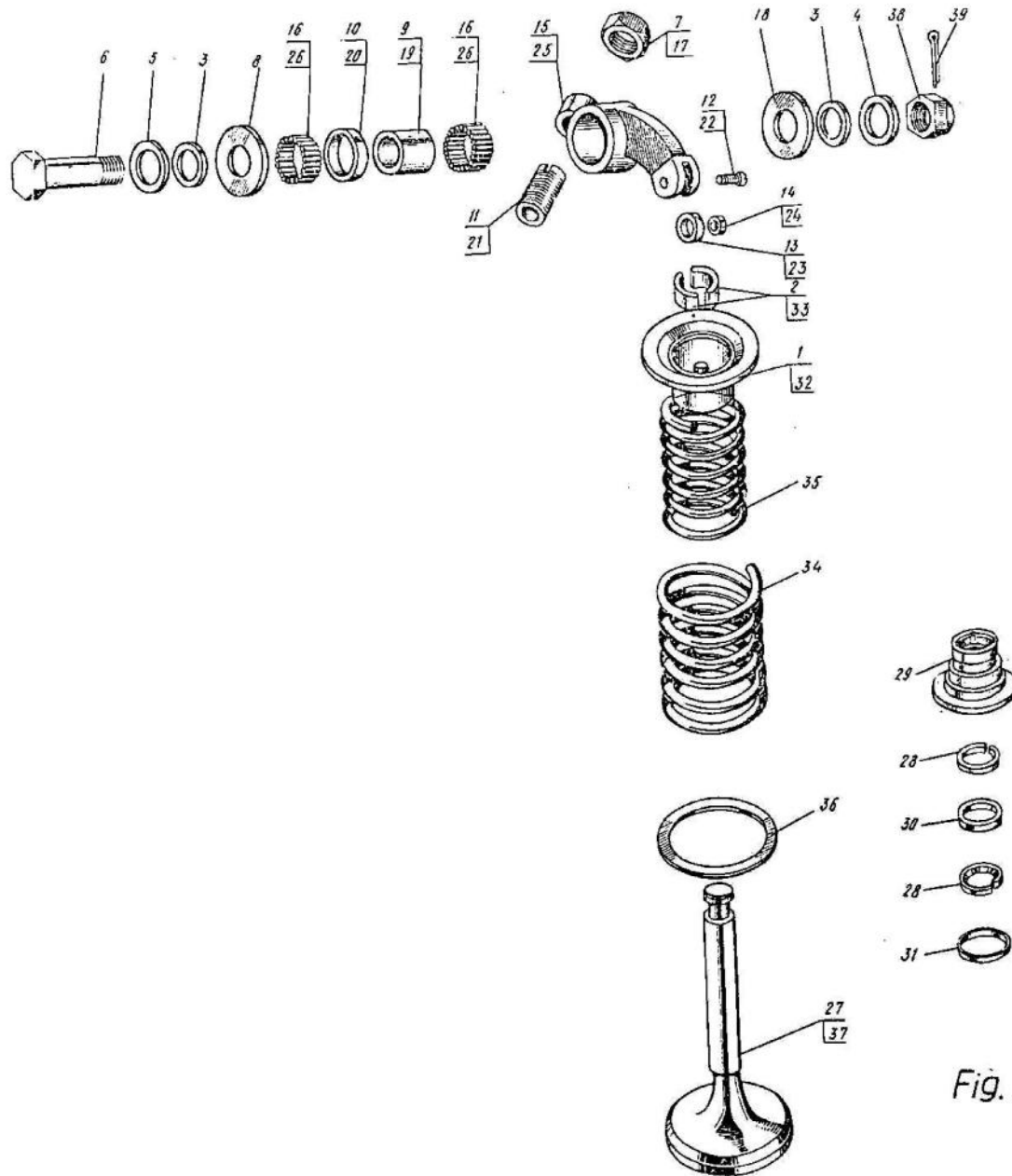
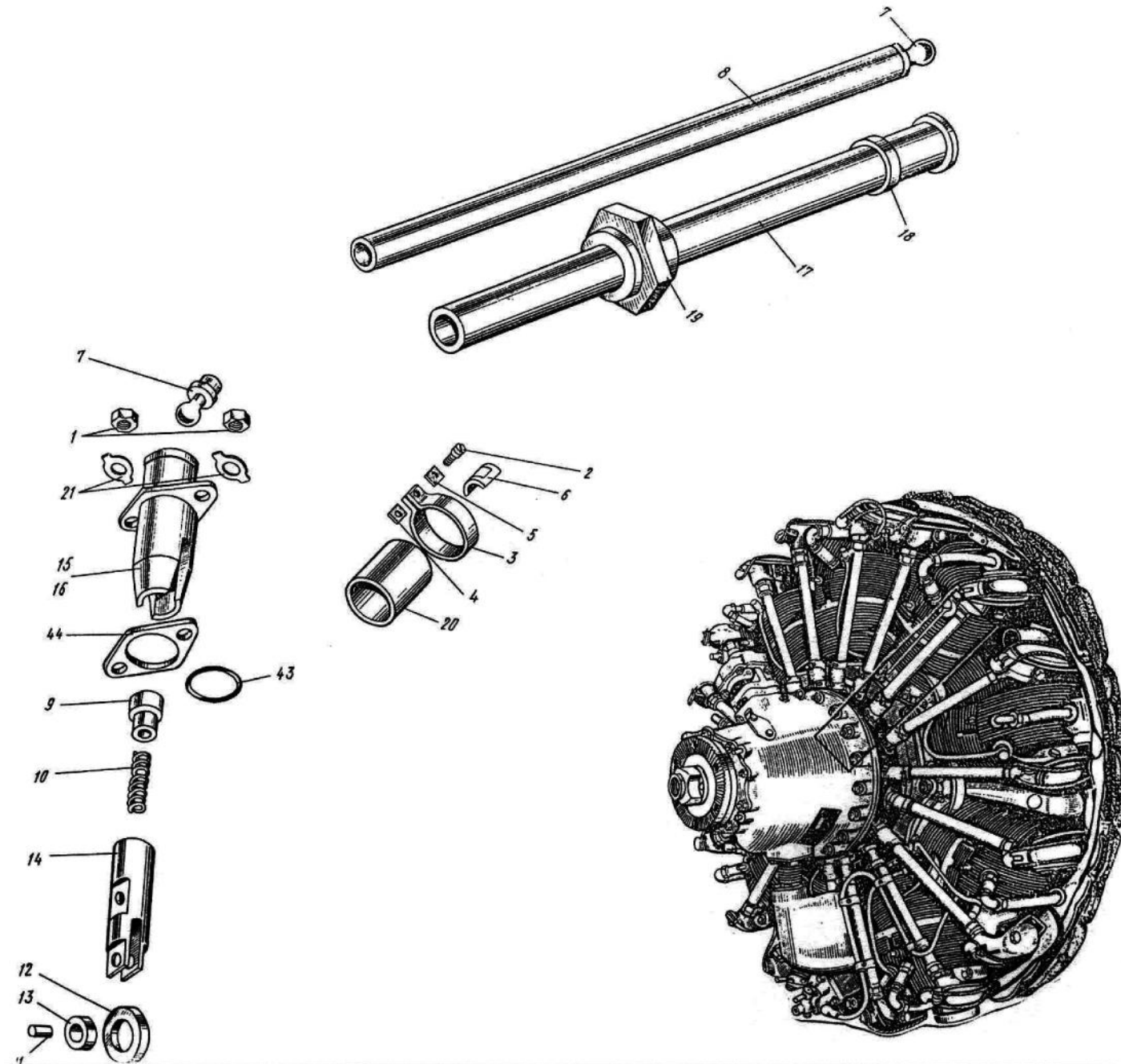


Fig. A3-2

No.	Part number	Nomenclature	Assembly	U/a.
	14-004-130	Cylinder	14-000-400	9
1	14-04-511	Plate	14-004-130	1
2	14-04-529	Safety	14-004-130	2
3	14-07-511	Washer	14-004-130	4
4	14-07-512	Washer	14-004-130	2
5	14-07-513	Washer	14-004-130	2
6	14-207-02	Axle	14-004-130	2
	14-407-104-01	Tappet lever	14-004-130	1
7	10-07-04	Nut	14-407-104-01	1
8	14-07-03	Washer	14-407-104-01	2
9	14-07-04-01	Bushing	14-407-104-01	1
10	14-07-08-01	Ring	14-407-104-01	1
11	14-307-03	Screw	14-407-104-01	1
	14-407-102-01	Tappet lever	14-407-104-01	1
12	14-07-502	Axle	14-407-102-01	1
13	14-07-508	Roller	14-407-102-01	1
14	14-07-509	Bushing	14-407-102-01	1
15	14-407-01-01	Tappet lever	14-407-102-01	1
16	2x7,8A5 III ETU 100/7-u	Roller	14-407-102-01	56
	14-407-105-01	Tappet lever	14-004-130	1
17	10-07-04	Nut	14-407-105-01	1
18	14-07-03	Washer	14-407-105-01	1
19	14-07-04-01	Bushing	14-407-105-01	1
20	14-07-08-01	Ring	14-407-105-01	1
21	14-307-03	Screw	14-407-105-01	1
	14-407-103-01	Tappet lever	14-407-105-01	1
22	14-07-502	Axle	14-407-103-01	1
23	14-07-508	Roller	14-407-103-01	1
24	14-07-509	Bushing	14-407-103-01	1
25	14-407-02-01	Tappet lever	14-407-103-01	1

No.	Part number	Nomenclature	Assembly	U/a.
26	2x7,8 A5 III ETU 100/7-u	Roller	14-407-103-01	56
27	14-004-150	Exhaust valve	14-407-130	1
	14-004-160	Bushing	14-004-130	1
28	14-604-165	Ring	14-004-160	2
29	14-004-14	Bushing	14-004-160	1
30	14-604-200	Washer	14-004-160	1
31	14-604-201	Ring	14-004-160	1
32	14-604-179	Plate	14-004-130	1
33	14-604-180	Safety	14-004-130	2
34	14-004-15	Spring	14-004-130	2
35	14-004-16	Spring	14-004-130	2
36	14-604-183	Washer	14-004-130	2
37	14-604-197	Valve	14-004-130	1
38	26-07-16	Nut	14-004-130	2
39	69-RD-6	Split	14-004-130	2

CAM AND PUSH ROD ASSEMBLIES



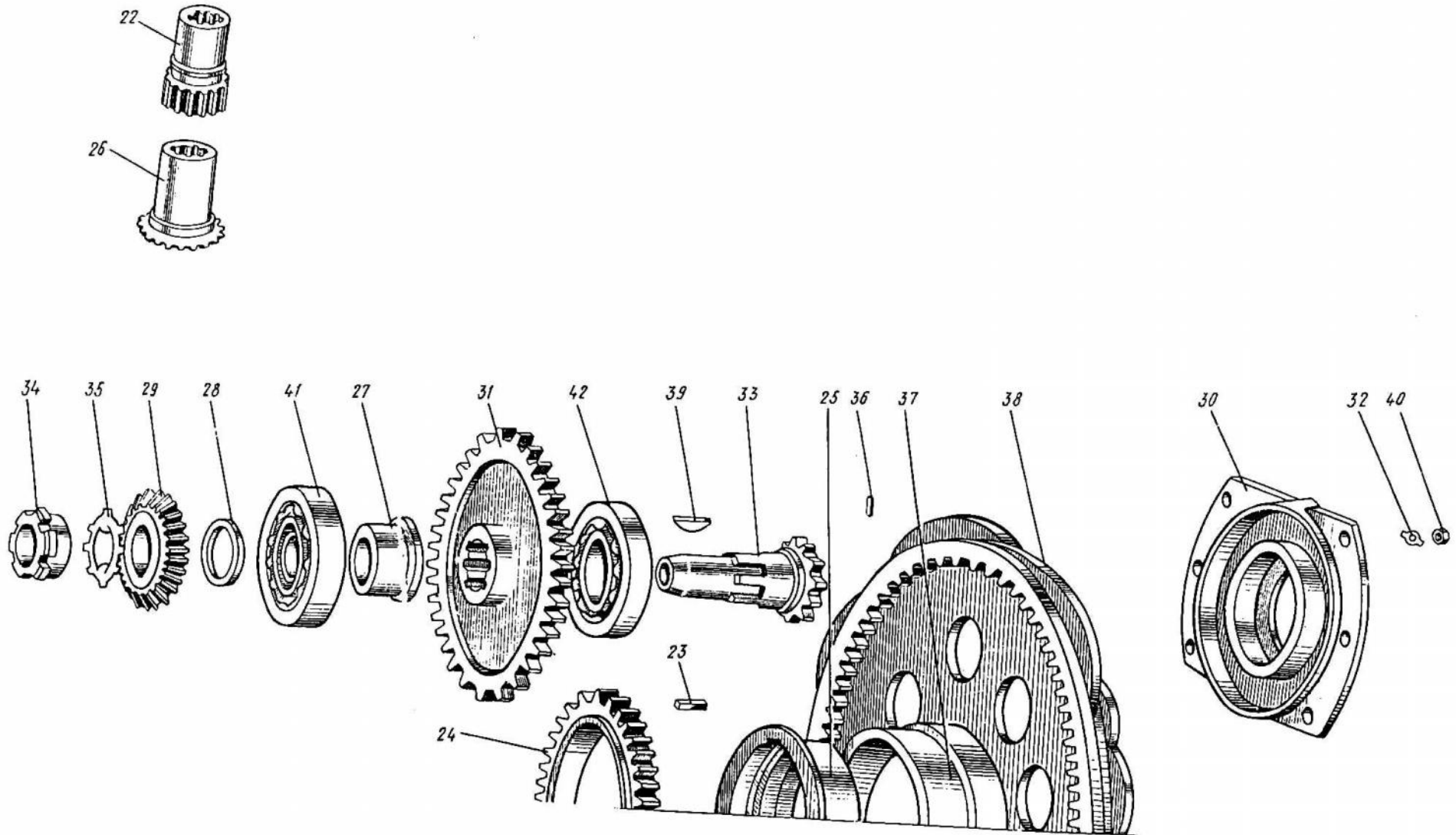
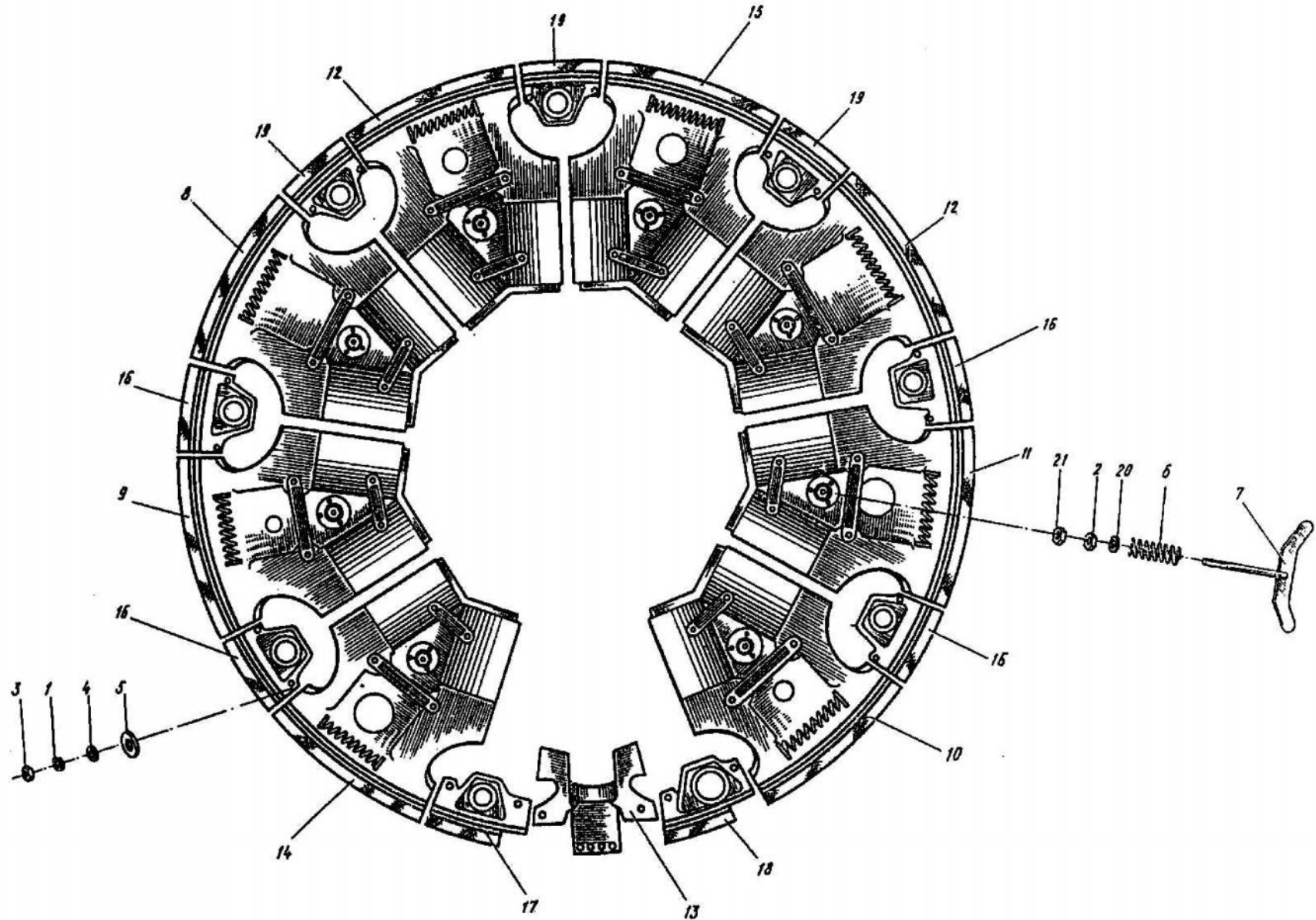


Fig.A3-3

No.	Part number	Nomenclature	Assembly	U/a.
	14-000-400	Engine M-14P		1
1	00-03-58	Nut	14-000-400	36
	14-07-600	Collar	14-000-400	36
2	14-07-515	Screw	14-07-600	1
3	14-07-516	Band	14-07-600	1
4	14-07-517	Nut	14-07-600	1
5	14-07-518	Washer	14-07-600	1
6	26-07-31	Gasket	14-07-600	1
	14-307-104	Rod	14-000-400	9
	14-307-104-01	Rod	14-000-400	9
7	14-307-04	Extremity rod	14-307-104	2
			14-307-104-01	2
8	14-307-05	Rod	14-307-104	1
	14-307-05-01	Rod	14-307-104-01	1
	14-609-13	Pucher	14-000-400	9
9	14-309-03-01	Extremity pusher	14-609-13	9
			14-609-13-01	9
10	14-309-09	Spring	14-609-13	9
			14-609-13-01	9
11	14-709-01	Axle	14-609-13	9
			14-609-13-01	9
12	14-709-02	Roller	14-609-13	9
			14-609-13-01	9
13	14-709-03	Bushing	14-609-13	9
			14-609-13-01	9
14	14-709-04-01	Pusher	14-609-13	1
			14-609-13-01	1
15	14-609-125	Guide	14-609-13	1
	14-609-13-01	Pucher	14-000-400	9
16	14-609-126	Guide	14-609-13-01	1

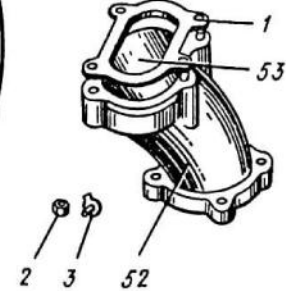
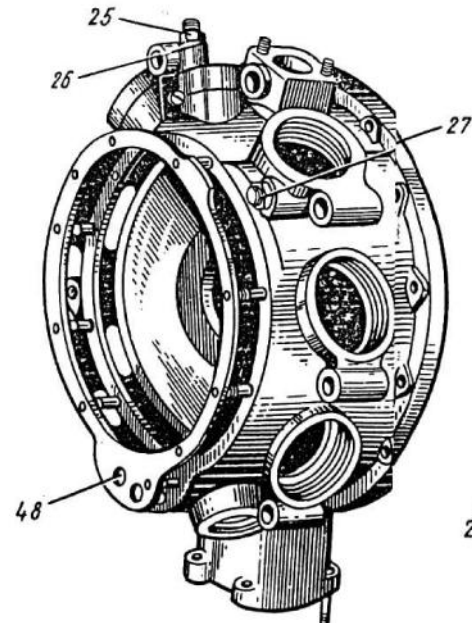
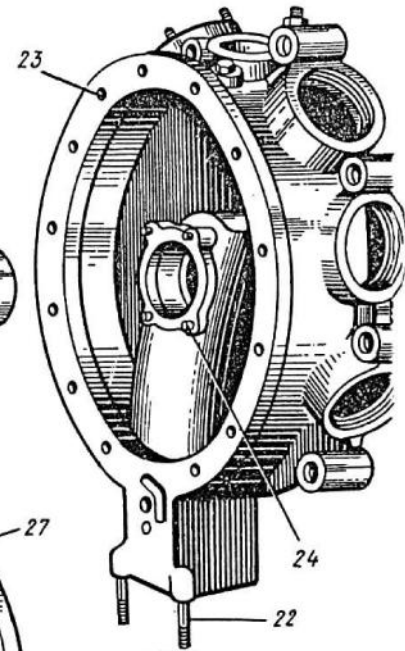
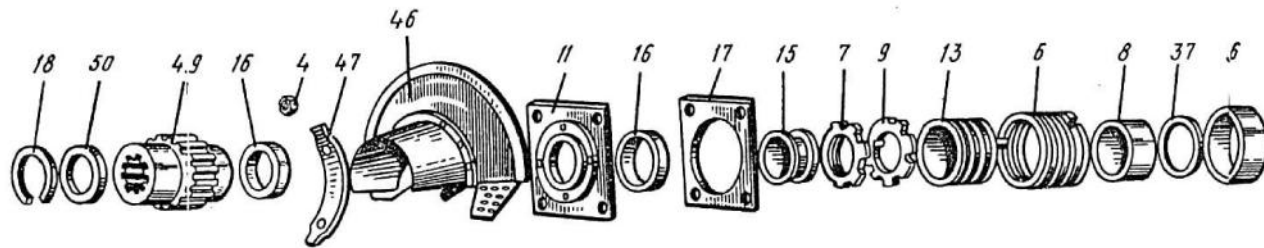
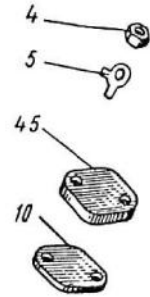
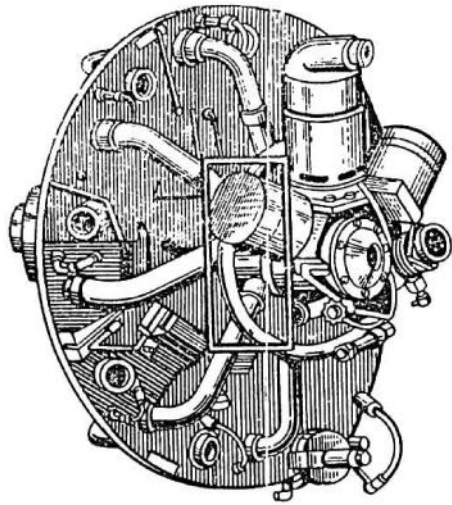
No.	Part number	Nomenclature	Assembly	U/a.
17	14-707-01	Protection	14-000-400	18
18	14-707-02	Ring	14-000-400	18
19	14-707-03	Nut	14-000-400	18
20	14-707-04	Pipe-line	14-000-400	18
21	14-709-11	Safety	14-000-400	36
22	14-08-23	Coupling	14-000-400	1
	14-008-040	Prior cover	14-000-400	1
23	10-03-50	Wedge	14-008-040	1
24	14-008-002	Pinion	14-008-040	1
25	14-08-16	Bushing	14-008-040	1
26	14-08-21	Pinion	14-008-040	1
27	14-08-22	Bushing	14-008-040	1
28	14-08-25	Washer	14-008-040	1
29	14-08-507	Pinion	14-008-040	1
30	14-608-20	Cover	14-008-040	1
31	14-008-003	Pinion	14-008-040	1
32	14-608-132	Safety	14-008-040	6
33	14-608-134	Axle	14-008-040	1
34	14-608-135	Nut	14-008-040	1
35	14-608-142	Safety	14-008-040	1
	14-708-107	Cam plate	14-008-040	1
36	00-12-11	Pin	14-708-107	2
37	14-08-17	Bushing	14-708-107	1
38	14-708-04	Washer	14-708-107	1
39	26-60-73	Wedge	14-008-040	1
40	66-RD-1	Nut	14-008-040	6
41	5-204 ETU 100/3	Bearing	14-008-040	1
42	20-304K ETU 100/3	Bearing	14-008-040	1
43	14-09-502	Ring	14-000-400	18
44	14-909-011	Gasket	14-000-400	18

ENGINE BAFFLING



No.	Part number	Nomenclature	Assembly	U/a.
	14-936-500	Deflectors	14-000-400	1
1	00-07-53	Washer	14-936-500	18
2	11-08-37	Nut	14-936-500	8
3	11-08-39	Nut	14-936-500	18
4	11-08-57	Washer	14-936-500	18
5	14-36-500	Gasket	14-936-500	18
6	14-36-554	Spring	14-936-500	8
7	14-736-104	Plate	14-936-500	8
8	14-936-410-01	Air governor	14-936-500	1
9	14-936-420-01	Air governor	14-936-500	1
10	14-936-440-01	Air governor	14-936-500	1
11	14-936-450	Air governor	14-936-500	1
12	14-936-470	Air governor	14-936-500	2
13	14-936-480	Air governor	14-936-500	1
14	14-936-430-01	Air governor	14-936-500	1
15	14-936-510	Air governor	14-936-500	1
16	14-936-540	Air governor	14-936-500	4
17	14-936-540-01	Air governor	14-936-500	1
18	14-936-540-02	Air governor	14-936-500	1
19	14-936-540-03	Air governor	14-936-500	3
20	97-RD-3	Washer	14-936-500	16
21	119-RD-2	Lock nut	14-936-500	8

SUPERCHARGER AND REAR CRANKCASE ASSEMBLY



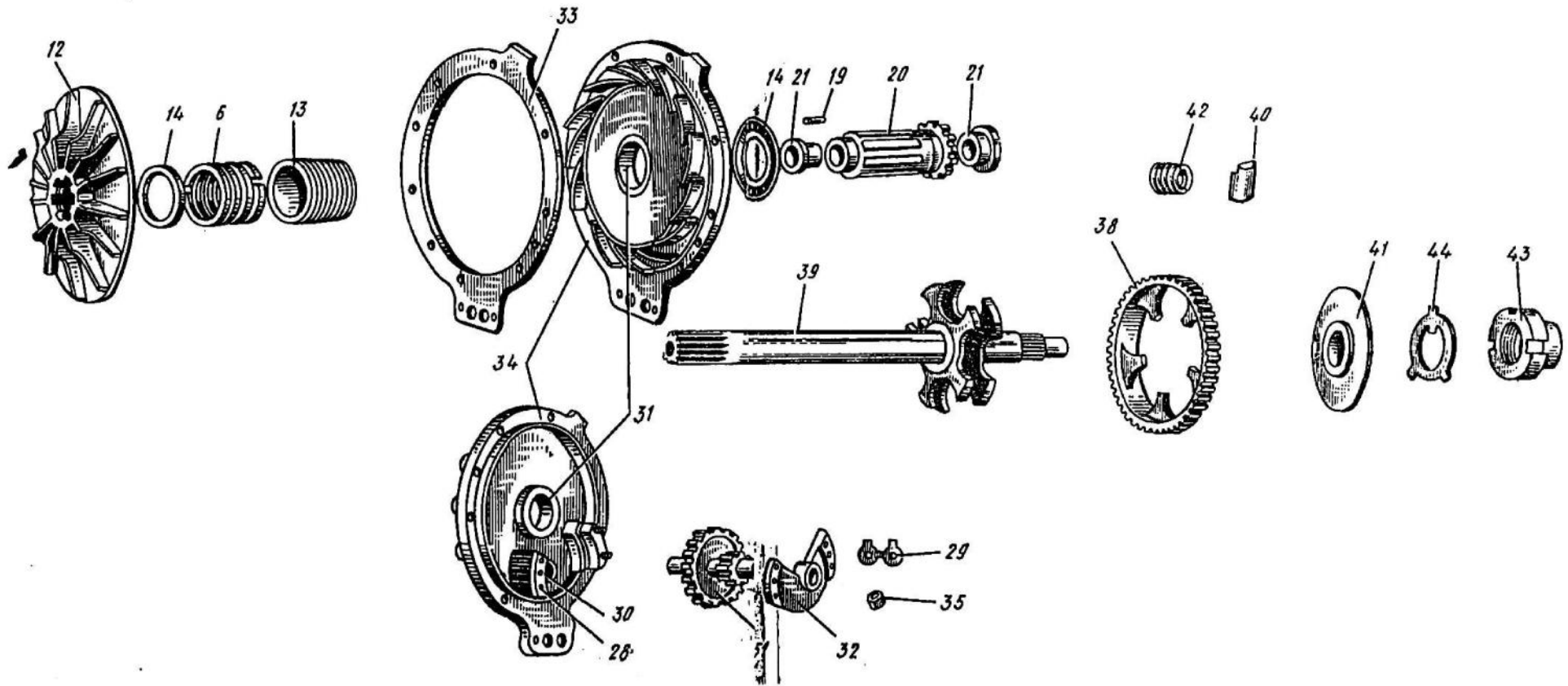
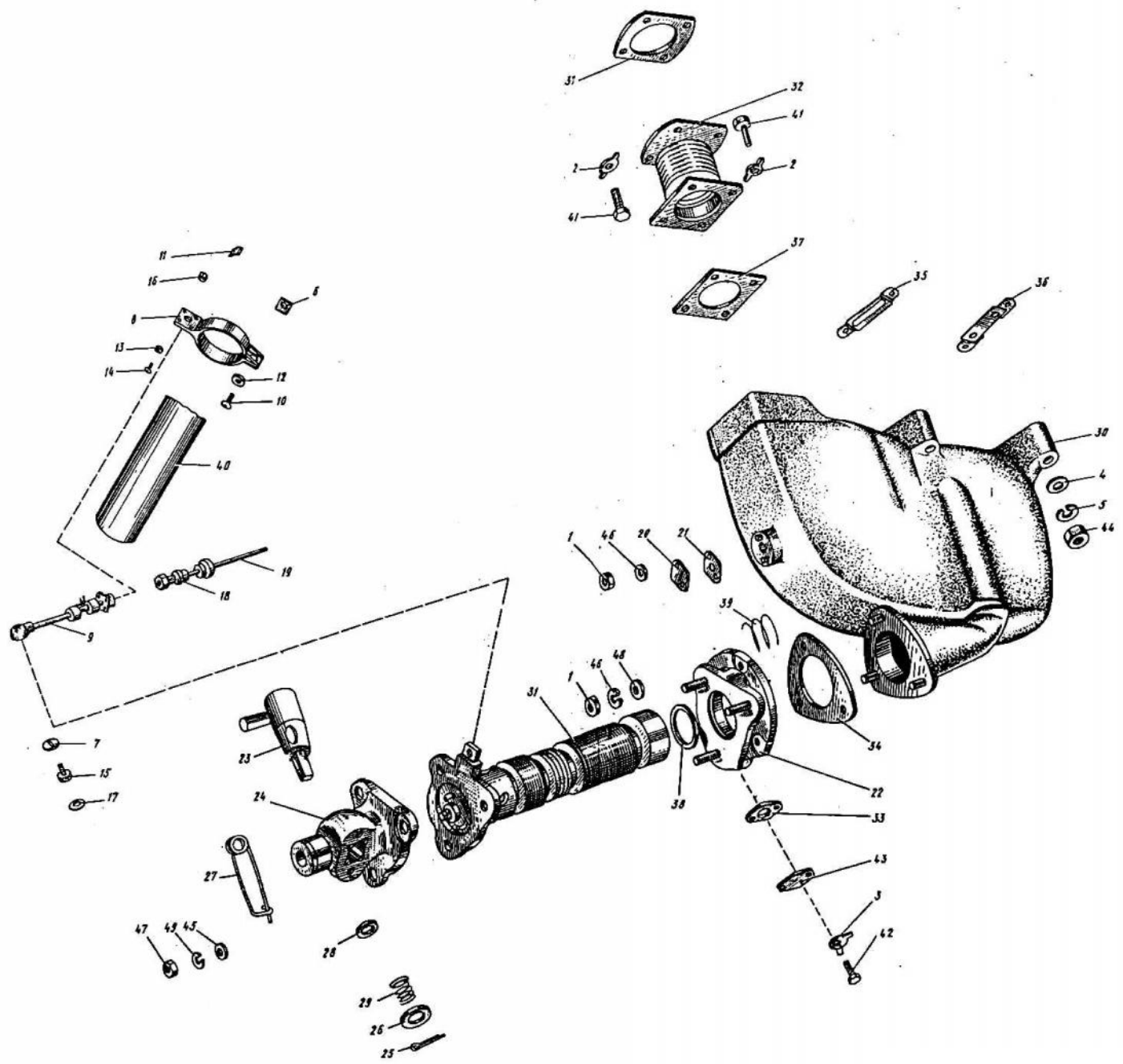
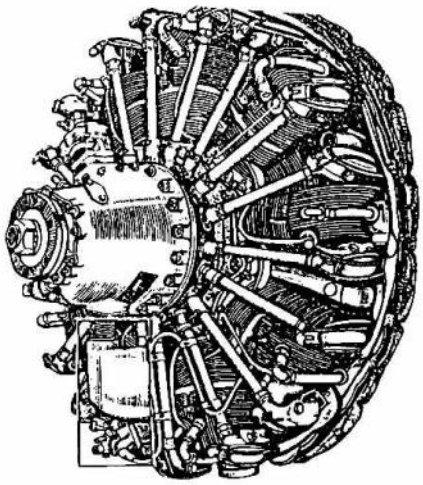


Fig.A4-1

No.	Part number	Nomenclature	Assembly	U/a.
	14-000-400	Engine M-14P		1
1	00-01-512	Bolt	14-000-400	4
2	11-08-40	Nut	14-000-400	4
3	14-17-03	Safety	14-000-400	4
	14-518-02	Compressor	14-000-400	1
4	00-03-58	Nut	14-518-02	6
5	00-05-58	Safety	14-518-02	2
6	10-18-11	Piston ring	14-518-02	8
7	10-18-13	Nut	14-518-02	1
8	10-18-16	Bushing	14-518-02	1
9	14-18-515	Safety	14-518-02	1
10	14-217-21	Gasket	14-518-02	1
11	14-317-14	Dowel	14-518-02	1
12	14-318-02	Compressor rotor	14-518-02	1
13	14-318-04	Bushing	14-518-02	2
14	14-318-08	Deflector	14-518-02	2
15	14-318-11	Bushing	14-518-02	1
16	14-318-12	Ring	14-518-02	2
17	14-318-17	Gasket	14-518-02	1
18	14-318-20	Ring	14-518-02	1
	14-318-100	Axle	14-518-02	1
19	00-12-11	Bolt	14-318-100	2
20	14-318-03	Axle	14-318-100	1
21	14-318-09	Bushing	14-318-100	2
	14-417-102-01	Collector	14-518-02	1
22	00-01-509	Bolt	14-317-104	2
23	14-317-104	Collector	14-417-102-01	1
24	00-01-531	Bolt	14-317-104	4
25	14-17-511	Fitting	14-317-104	1
26	14-17-530	Gasket	14-317-104	1
27	14-17-601	Injector	14-317-104	1

No.	Part number	Nomenclature	Assembly	U/a.
	14-417-103-01	Diffuser	14-417-102-01	1
28	00-01-529	Bolt	14-417-103-01	4
29	00-12-600	Safety	14-417-103-01	2
30	14-17-513	Bushing	14-417-103-01	1
31	14-17-519	Bushing	14-417-103-01	1
32	14-317-02	Cover	14-417-103-01	1
33	14-317-03	Gasket	14-417-102-01	1
34	14-417-02-01	Diffuser	14-417-103-01	1
35	51003	Nut	14-417-103-01	4
36	14-317-19	Bushing	14-317-103-01	1
37	14-418-01	Ring	14-518-02	2
	14-518-01	Coupling	14-518-02	1
38	14-518-101	Pinion	14-518-01	1
39	14-518-102	Axle	14-518-01	1
40	14-518-104	Plate spring	14-518-01	10
41	14-518-108	Cover	14-518-01	1
42	14-518-109	Spring	14-518-01	5
43	14-618-134	Nut	14-518-01	1
44	14-518-110	Safety	14-518-01	1
45	14-610-193	Flange	14-518-02	1
46	14-617-30	Air governor	14-518-02	1
47	14-617-119	Safety	14-518-02	2
48	14-617-121	Gasket	14-518-02	1
49	14-618-100	Coupling	14-518-02	1
50	14-618-101	Washer	14-518-02	1
51	14-618-125	Pinion	14-518-02	1
52	14-617-01	Reducing piece	Ak-14P	inf.
53	14-617-05	Gasket	14-000-400	1

NOSE CASE AND CHIP DETECTOR ASSEMBLIES



No.	Part number	Nomenclature	Assembly	U/a.
	14-000-400	Engine M-14P		1
1	00-03-58	Nut	14-000-400	1
2	00-05-55	Safety	14-000-400	6
3	00-05-58	Safety	14-000-400	8
4	00-07-18	Washer	14-000-400	4
5	00-07-53	Washer	14-000-400	4
	14-000-340	Conductors assembling	14-000-400	1
6	10-04-57	Nut	14-000-340	1
7	14-002-206	Washer	14-000-340	1
8	14-002-230	Collar	14-000-340	1
9	14-002-240	Conductor	14-000-340	1
10	14-07-09	Screw	14-000-340	1
11	14-604-192	Plug	14-000-340	1
12	26-07-32	Washer	14-000-340	1
13	3.65G.02.9 GOST 6402	Washer	14-000-340	4
14	3166A-3-10	Screw	14-000-340	4
15	3166A-6-10	Screw	14-000-340	1
16	3320A-3	Nut	14-000-340	4
17	3402A-1-6-10	Washer	14-000-340	1
18	2RM14KPE4G1V1 GEO.364.126 TU	Plug socket	14-000-340	1
19	GE7.860.023.012	Conductor	14-000-340	1
20	14-002-202	Cover	14-000-400	1
21	14-211-34	Gasket	14-000-400	1
22	14-602-37	Cup	14-000-400	1
	14-602-39	Tap	14-000-400	1
23	14-602-38	Tap	14-602-39	1
24	14-062-208	Case	14-602-39	1
25	70-RD-1	Split	14-602-39	1

No.	Part number	Nomenclature	Assembly	U/a.
26	100786	Washer	14-602-39	1
27	100787	Clip	14-602-39	1
28	100790	Washer	14-602-39	1
29	100792	Spring	14-602-39	1
30	14-602-53	Oil collector	14-000-400	1
31	14-602-55	Signalling filter	14-000-400	1
32	14-602-03	Silphon	14-000-400	1
33	14-602-104	Gasket	14-000-400	1
34	14-602-106	Gasket	14-000-400	1
35	14-602-107	Gasket	14-000-400	2
36	14-602-108	Gasket	14-000-400	2
37	14-602-112	Gasket	14-000-400	2
38	14-602-161	Ring	14-000-400	1
39	14-602-162	Spring	14-000-400	1
40	14-904-380	Pipe-line cyl.4	14-000-400	Inf.
41	14-610-272	Pin	14-000-400	8
42	14-717-21	Screw	14-000-400	2
43	14-902-029	Cover	14-000-400	1
44	26-11-17	Nut	14-000-400	4
45	5.65G.05 GOST 6402	Washer	14-000-400	3
46	6.65G.05 GOST 6402	Washer	14-000-400	6
47	51003	Nut	14-000-400	3
48	54530	Washer	14-000-400	3
49	54531	Washer	14-000-400	3

OIL PUMP

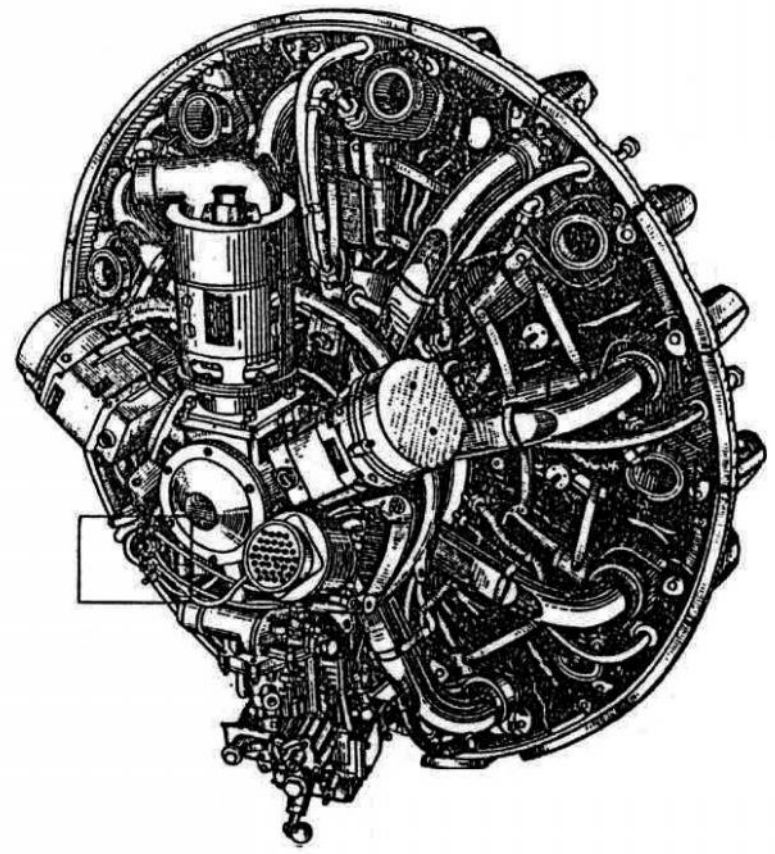
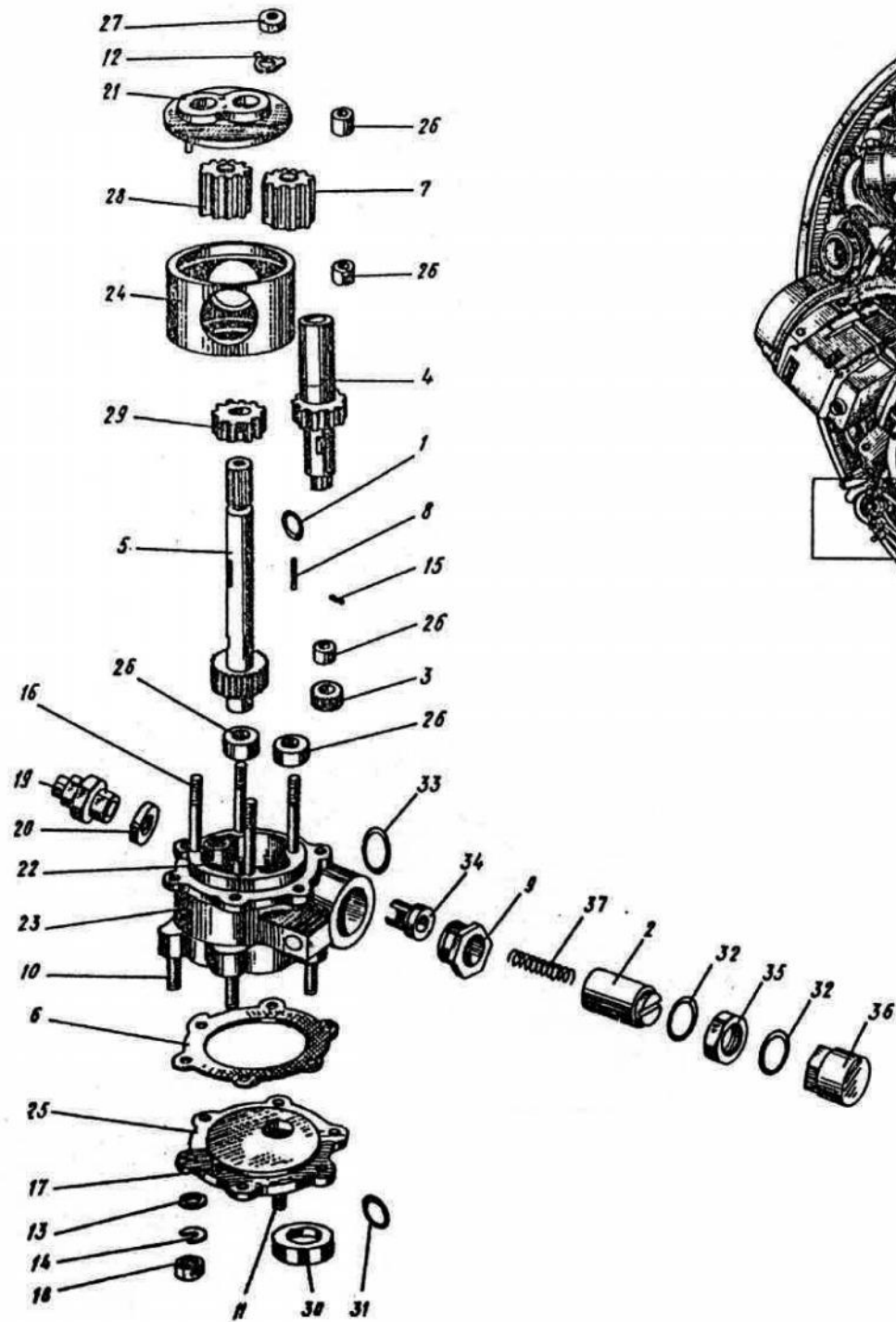
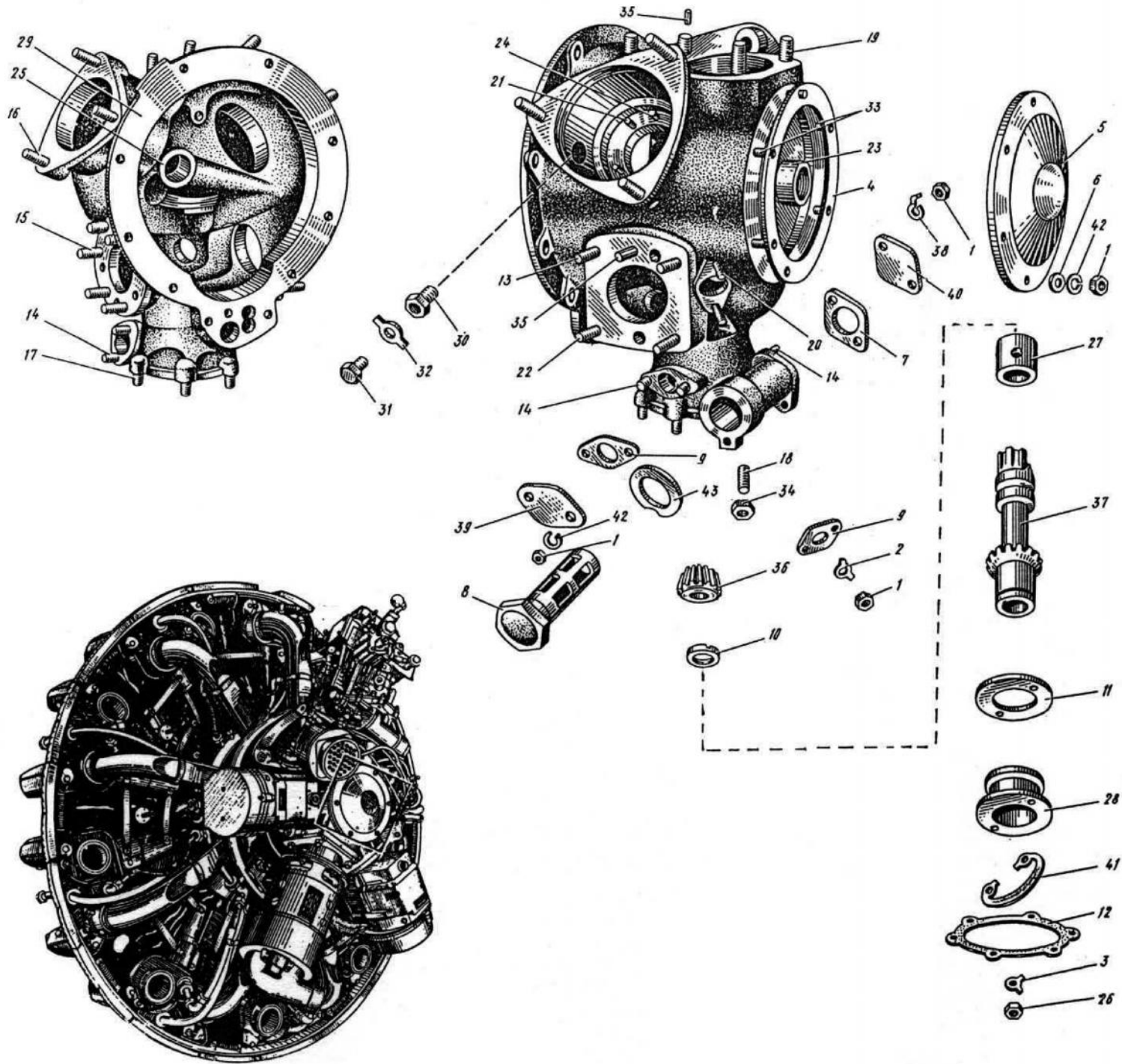


Fig. A5-2

No.	Part number	Nomenclature	Assembly	U/a
	14-611-75	Oil pump	14-011-340	1
1	105698	Ring	14-611-75	1
2	14-11-725	Screw	14-611-75	1
4	14-611-166	Axle	14-611-75	1
5	14-611-244	Axle	14-611-75	1
6	14-711-03	Gasket	14-611-75	1
7	14-711-83	Pinion	14-611-75	1
8	14-711-84	Wedge	14-611-75	1
9	MS 716	Bushing	14-611-75	1
	14-611-74	Oil pump	14-611-75	1
10	00-01-104	Bolt	14-611-74	6
11	00-01-503	Bolt	14-611-74	2
12	00-05-57	Safety	14-611-74	4
13	00-07-18	Washer	14-611-74	4
14	00-07-53	Washer	14-611-74	4
15	00-12-11	Bolt	14-611-74	4
16	00-711-01	Bolt	14-611-74	4
17	10-11-71	Pin	14-611-74	3
18	11-08-39	Nut	14-611-74	4
19	14-17-511	Fitting	14-611-74	1
20	14-17-530	Gasket	14-611-74	1
21	14-211-04	Cover	14-611-74	1
22	14-211-91	Valve	14-611-74	1
23	14-711-31	Case	14-611-74	1
24	14-711-32	Case	14-611-74	1
25	14-611-243	Cover	14-611-74	1
26	14-711-34	Bushing	14-611-74	4
27	51003	Nut	14-611-74	4
28	14-711-105	Pinion	14-611-75	1

No.	Part number	Nomenclature	Assembly	U/a
29	14-711-106	Pinion	14-611-75	1
30	14-611-72	Gasket rubber	14-611-75	1
31	14-611-279-01	Spring	14-611-75	1
32	62-02-03	Gasket	14-611-75	2
33	62-02-04	Gasket	14-611-75	1
34	62-13-05	Valve	14-611-75	1
35	K1125	Nut	14-611-75	1
36	K1810	Cover	14-611-75	1
37	K5147	Spring	14-611-75	1

ACCESSORY DRIVE CASE



No.	Part number	Nomenclature	Assembly	U/a.
	14-011-340	Hinder cover	14-000-400	1
1	00-03-58	Nut	14-011-340	18
2	00-05-58	Safety	14-011-340	6
3	00-12-601	Safety	14-011-340	6
4	10-11-65	Gasket	14-011-340	1
5	10-11-66	Cover	14-011-340	1
6	11-08-56	Washer	14-011-340	11
7	14-11-522	Gasket	14-011-340	1
8	14-11-592	Filter	14-011-340	1
9	14-211-34	Gasket	14-011-340	1
10	14-611-236	Washer	14-011-340	1
11	14-211-46	Gasket	14-011-340	1
12	14-311-10	Gasket	14-011-340	1
	14-611-32-01	Hinder cover	14-011-340	1
13	00-01-100	Bolt	14-611-32-01	1
14	00-01-502	Bolt	14-611-32-01	4
15	00-01-508	Bolt	14-611-32-01	6
16	00-01-512	Bolt	14-611-32-01	6
17	00-01-104	Bolt	14-611-32-01	6
18	00-01-531	Bolt	14-611-32-01	2
19	00-01-517	Bolt	14-611-32-01	4
20	00-01-518	Bolt	14-611-32-01	2
21	00-01-519	Bolt	14-611-32-01	8
22	00-711-03	Bolt	14-611-32-01	3
23	10-11-40	Bushing	14-611-32-01	1
24	10-1-71	Pin	14-611-32-01	2
25	14-311-03	Bushing	14-611-32-01	1
26	14-611-245	Safety	14-611-32-01	1
27	14-411-12	Bushing	14-611-32-01	1

No.	Part number	Nomenclature	Assembly	U/a.
28	14-411-13	Bushing	14-611-32-01	1
29	14-611-163-01	Cover	14-611-32-01	1
30	14-611-171	Reducing piece	14-611-32-01	2
31	14-611-172	Screw	14-611-32-01	2
32	14-611-173	Safety	14-611-32-01	2
33	2-RD-53	Bolt	14-611-32-01	6
34	00-03-58	Nut	14-611-32-01	2
35	53532	Pin	14-611-32-01	2
36	14-611-235	Pinion	14-011-340	1
37	14-611-234	Vertical axle	14-011-340	1
38	14-627-123	Shackle	14-011-340	1
39	14-711-56	Cover	14-011-340	1
40	14-711-97	Cover	14-011-340	1
41	6.65G.05 GOST 6402	Washer	14-011-340	15
42	1734A-1,5-27-38	Washer	14-011-340	1

TACHOMETER DRIVE ASSEMBLY

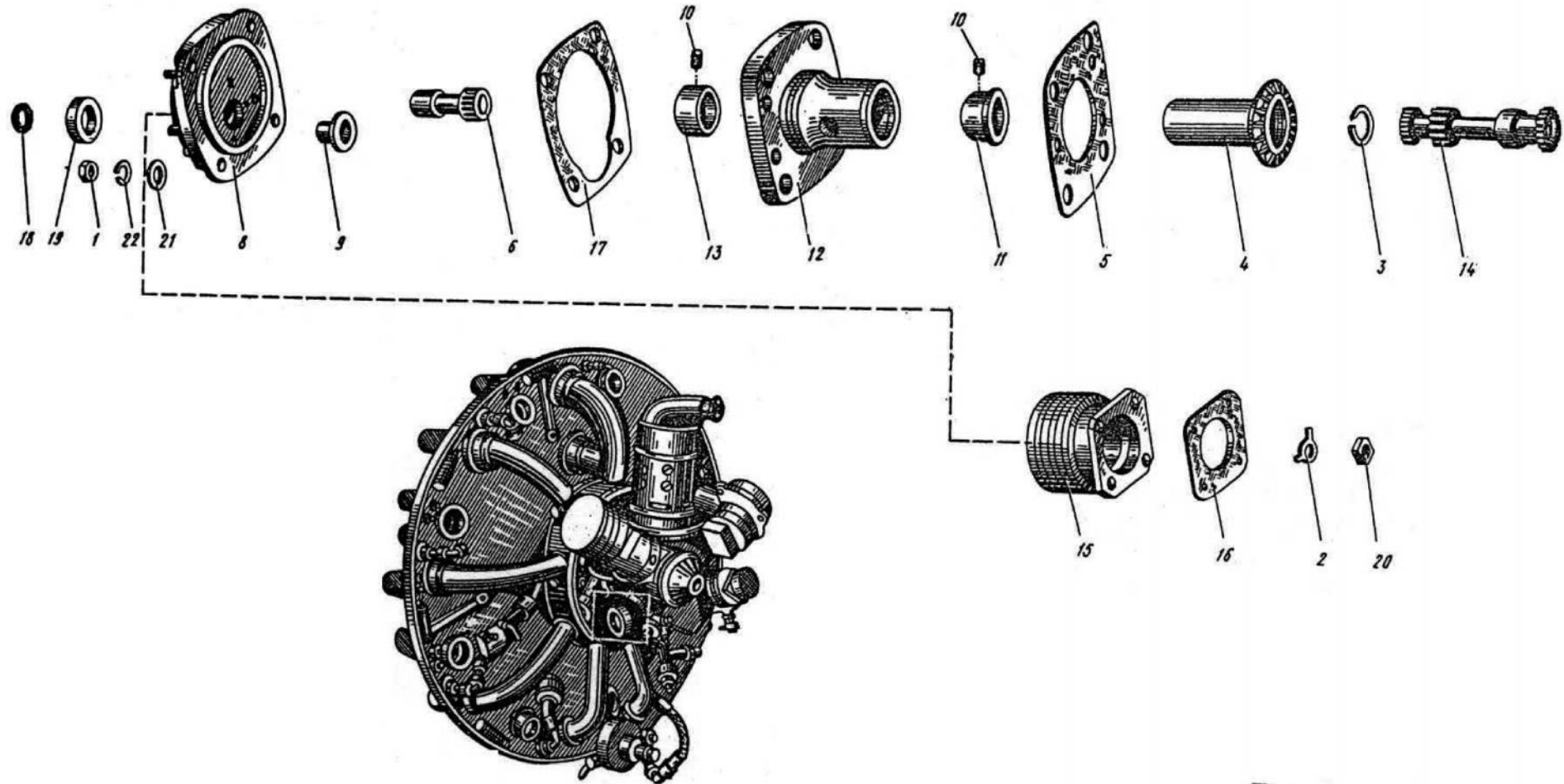
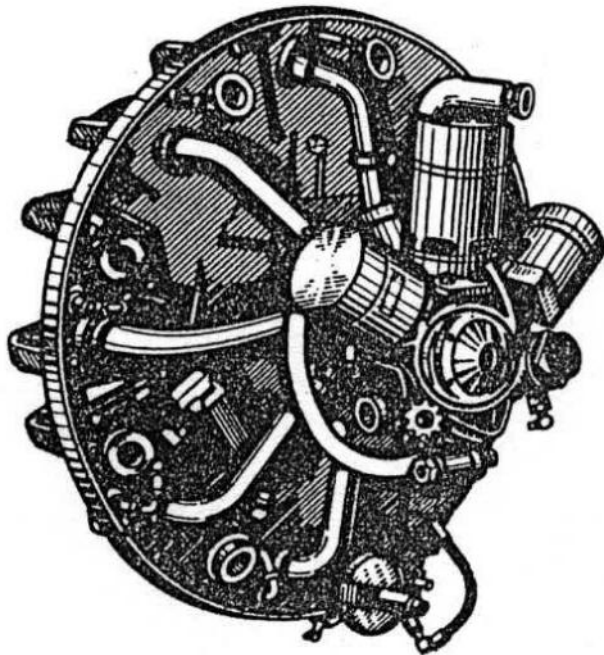
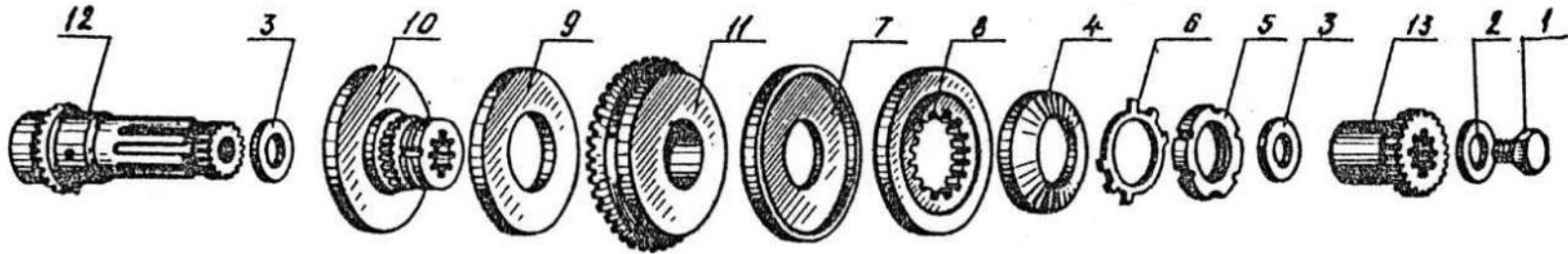


Fig. A 7-2

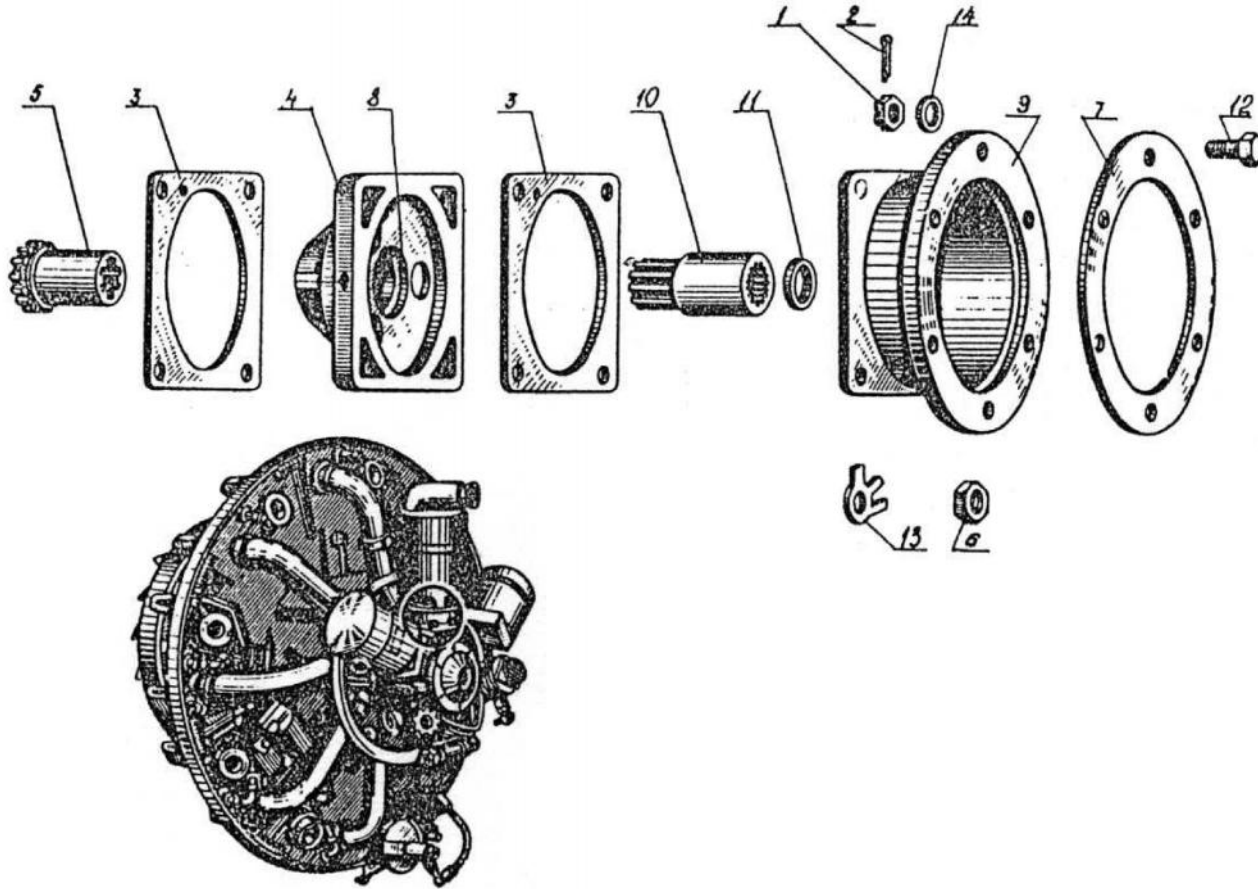
No	Part number	Nomenclature	Assembly	U/a.
	14-011-340	Cover	14-000-400	1
1	00-03-14	Nut	14-011-340	4
2	00-05-58	Safety	14-011-340	6
3	10-11-60	Washer	14-011-340	1
4	14-611-242	Pinion	14-011-340	1
5	14-311-14	Gasket	14-011-340	1
6	14-611-03	Pinion	14-011-340	1
	14-611-27-01	Case	14-011-340	1
7	00-01-519	Split	14-611-27-01	4
8	14-611-155	Case	14-611-27-01	1
9	15-41-10	Bushing	14-611-27-01	1
	14-311-104	Case	14-011-340	1
10	00-12-11	Checking pin	14-311-104	2
11	10-13-22	Bushing	14-311-104	1
12	14-311-12	Case	14-311-104	1
13	15-11-15	Bushing	14-311-104	1
14	14-611-103	Pinion	14-011-340	1
15	14-611-283	Flange	14-011-340	1
16	14-611-157	Gasket	14-011-340	1
17	15-11-120	Gasket	14-011-340	1
18	14-611-279	Spring	14-011-340	2
19	14-611-21	Bushing	14-611-27-01	2
20	66-RD-1	Nut	14-011-340	10
21	607	Washer	14-011-340	4
22	8.65G.05 GOST 6402	Grower washer	14-011-340	10

GENERATOR CLUTCH ASSEMBLY



No.	Part number	Nomenclature	Assembly	U/a.
	14-011-340	Hinder cover	14-000-400	1
1	14-11-714	Screw	14-011-340	1
2	14-11-715	Safety	14-011-340	1
3	14-311-11-00 ÷ 17	Washer	14-011-340	2
	14-411-101	Coupling	14-011-340	1
4	14-311-24	Washer	14-411-101	1
5	14-311-26	Nut	14-411-101	1
6	14-311-28	Safety	14-411-101	1
7	14-411-01	Hinder disk	14-411-101	1
8	14-411-02	Disk	14-411-101	1
9	14-411-03	Prior disk	14-411-101	1
10	14-411-04	Driver	14-411-101	1
11	14-411-05	Pinion	14-411-101	1
	14-611-202	Pinion	14-011-340	1
12	14-311-32	Pinion	14-611-202	1
13	14-611-201	Plug	14-611-202	1

GENERATOR DRIVE ASSEMBLY



No.	Part number	Nomenclature	Assembly	U/a.
	14-011-340	Hinder cover	14-000-400	1
1	00-03-52	Nut	14-011-340	6
2	00-12-07	Split	14-011-340	6
3	14-11-547	Gasket	14-011-340	2
4	14-013-290	Case	14-011-340	1
5	14-013-250	Pinion	14-011-340	1
6	14-204-15	Nut	14-011-340	4
7	14-411-10	Gasket	14-011-340	1
8	14-613-22	Rubber packing	14-011-340	1
9	15-11-123	Flange	14-011-340	1
10	15-11-124	Reducing piece	14-011-340	1
11	15-11-125	Washer	14-011-340	1
12	15-40-52	Pin	14-011-340	6
13	108365	Safety	14-011-340	4
14	54537	Washer	14-011-340	6
15	14-611-279-03	Spring	14-011-340	1

MAGNETO DRIVE ASSEMBLY

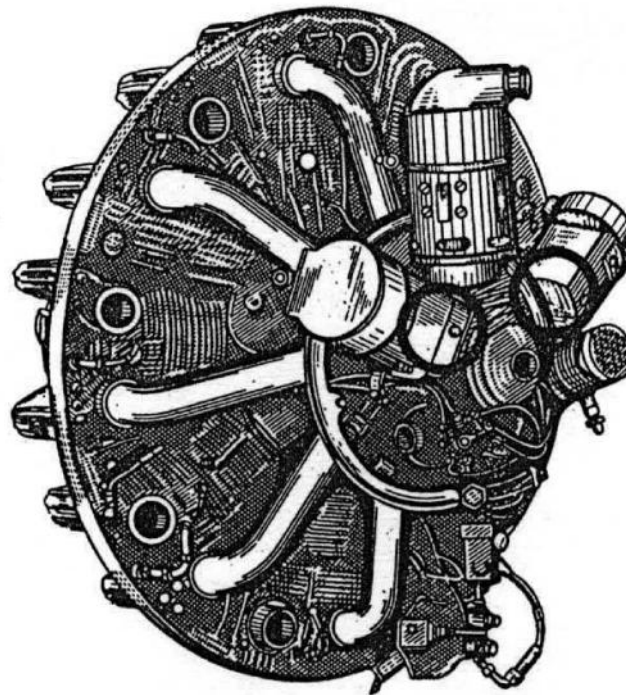
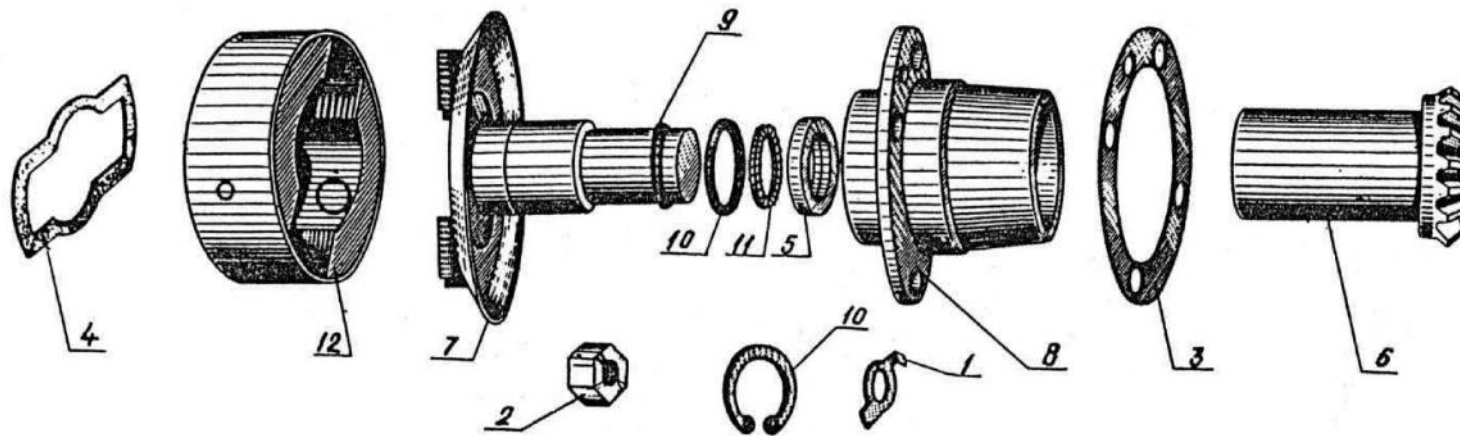


Fig. A 7-5

No.	Part number	Nomenclature	Assembly	U/a.
	14-011-340	Hinder cover	14-000-400	1
1	00-05-54	Safety	14-011-340	8
2	00-03-58	Nut	14-011-340	8
3	14-212-02-00 ÷ 02	Gasket	14-011-340	6
5	14-612-15	Rubber packing	14-011-340	2
6	14-612-151	Pinion	14-011-340	2
7	14-612-110	Driver	14-011-340	2
8	14-612-152	Case	14-011-340	2
9	14-612-150	Ring	14-011-340	2
11	14-611-279-02	Spring	14-011-340	2
12	MRO-9	Coupling	14-011-340	2

COMPRESSOR DRIVE ASSEMBLY

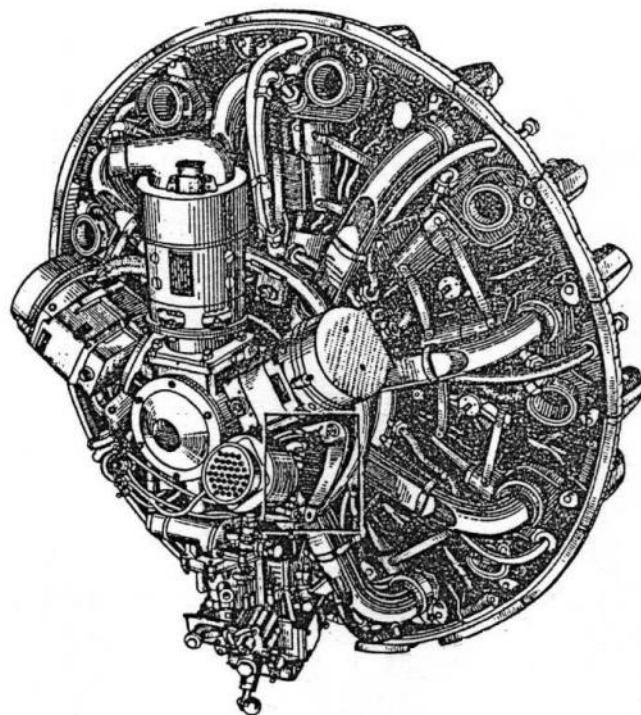
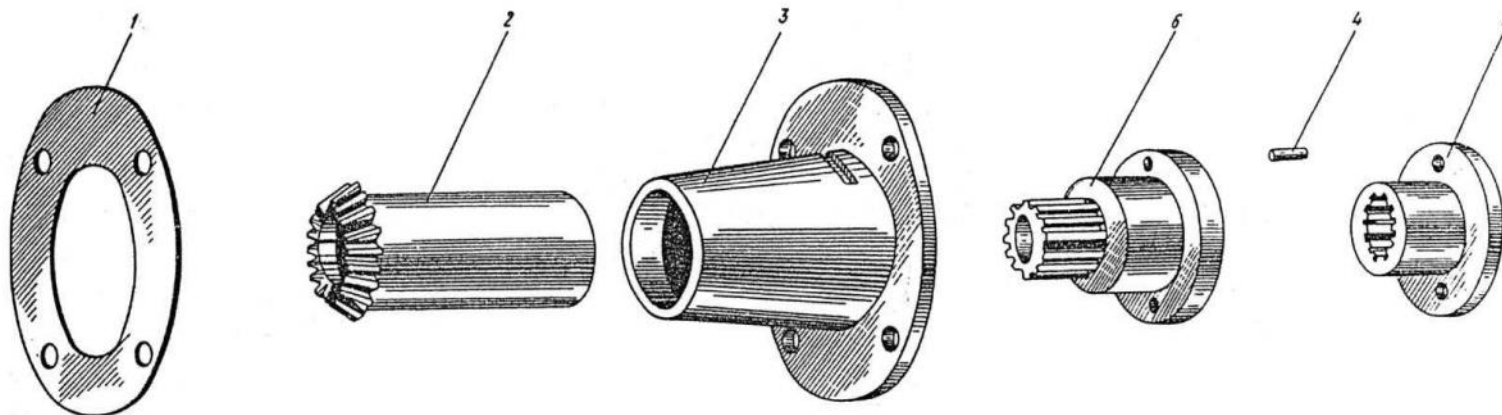


Fig. A 7-6

No.	Part number	Nomenclature	Assembly	U/a.
	14-011-340	Hinder cover	14-000-400	1
1	14-11-545	Gasket	14-011-340	1
2	14-614-110	Pinion	14-011-340	1
3	14-614-107	Case	14-011-340	1
	14-611-80-01	Coupling	14-011-340	1
4	14-611-252-01	Pin	14-611-80-01	2
5	14-611-251-01	Semicoupling	14-611-80-01	1
6	14-611-250-01	Semicoupling	14-611-80-01	1

IGNITION HARNESS ASSEMBLY

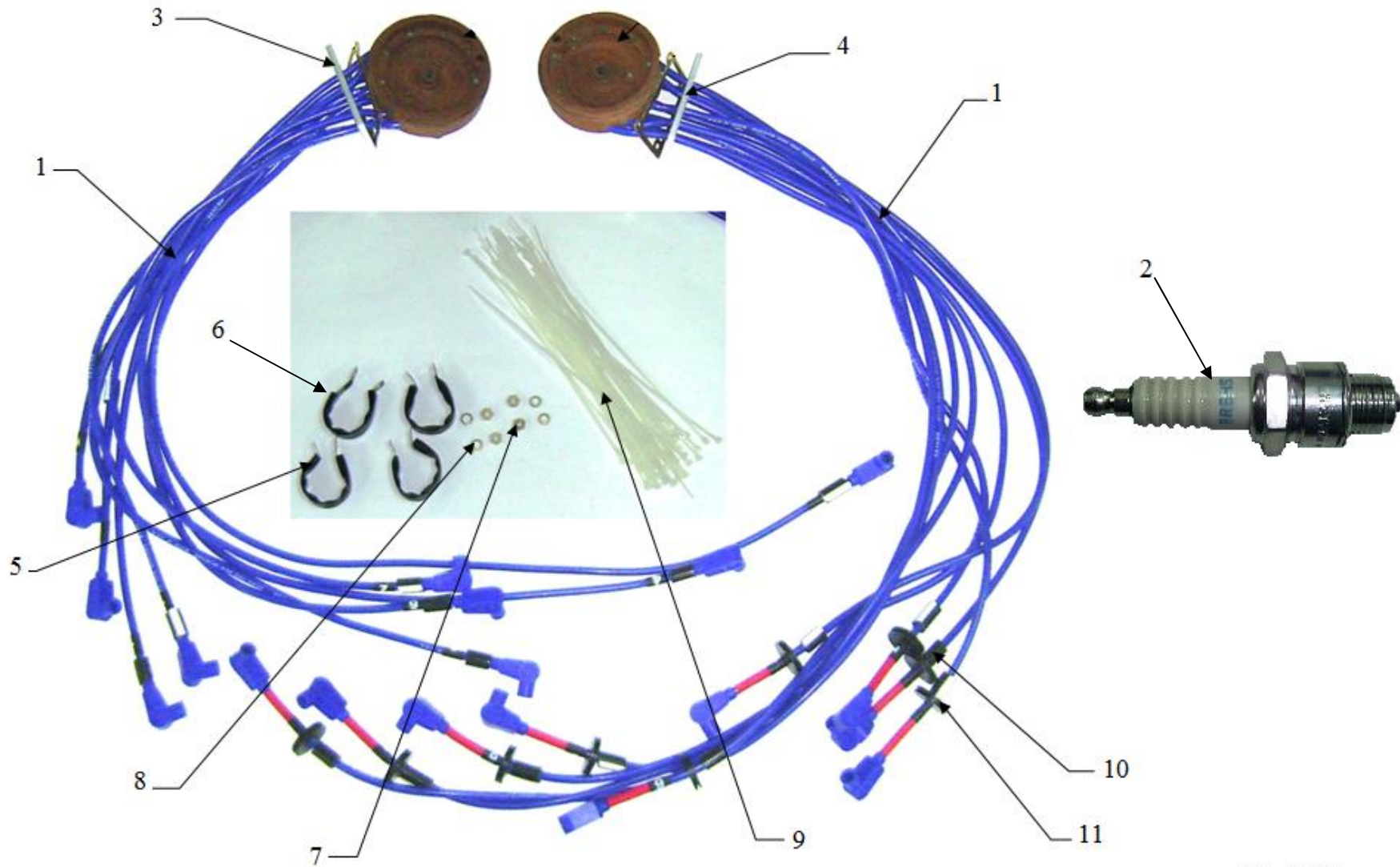


Fig. B2.1.

No.	Part number	Nomenclature	Assembly	U/a.
	14-000-400	Engine M-14P		1
1	TA-356-3-4	Ignition cables kit	14-000-400	1
2	BR6HS	Spark plugs	14-000-400	18
3	14-21-500-01S	Plate left to magneto	14-000-400	1
4	14-21-500-02D	Plate right to magneto	14-000-400	1
5	14-221-110	Collar	14-000-400	2
6	14-221-170	Collar	14-000-400	2
7	26-11-17	Nut	14-000-400	4
8	00-07-53	Washer	14-000-400	4
9	UV-100	Tie wraps	14-000-400	20
10	FC 9/15	Hose	14-000-400	18
11	14-21-585	Rubber grommet	14-000-400	9

AIR COMPRESSOR AK-50A

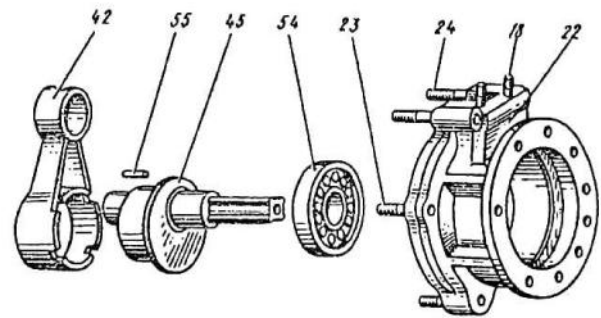
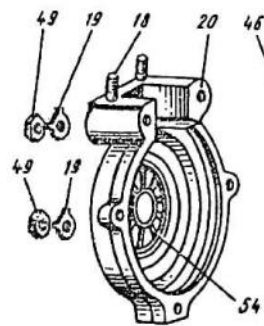
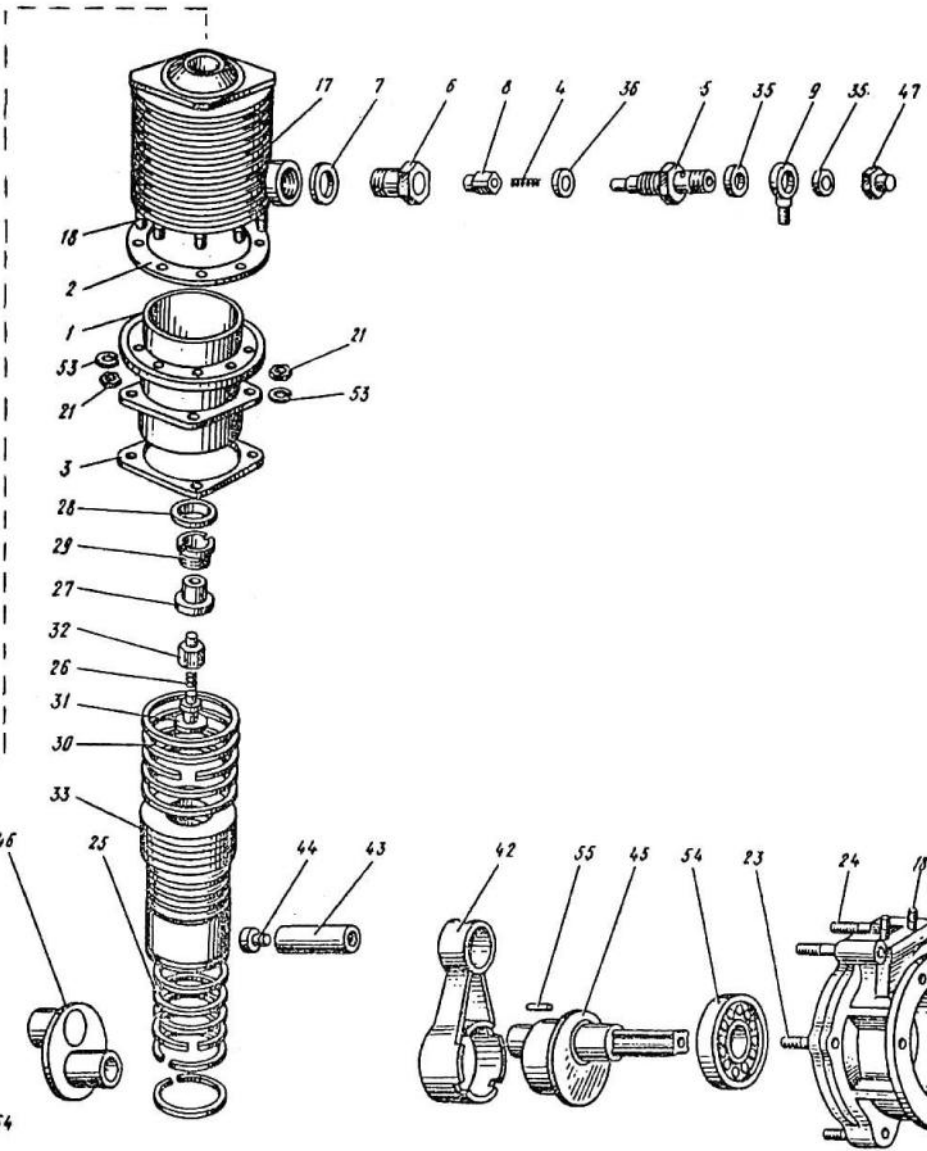
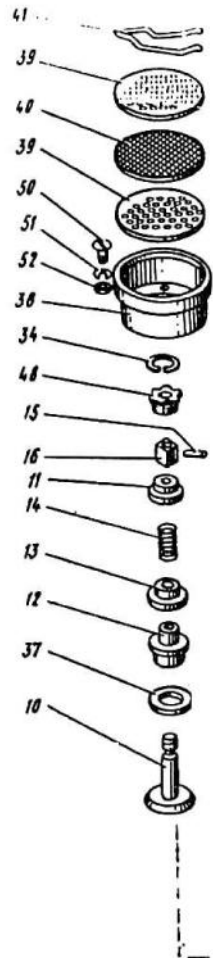


Fig. C 01

No.	Part number	Nomenclature	Assembly	U/a.
	14-950-390-02	Compressor AK-50A	14-000-4000	1
1	10-15-16	Cylinder tr.II	14-950-390-02	1
2	10-15-22	Gasket	14-950-390-02	1
3	10-15-23	Gasket	14-950-390-02	1
	11-14-318	Valve	14-950-390-02	1
4	11-14-26	Spring	11-14-318	1
5	11-14-27	Fitting	11-14-318	1
6	14-950-125	Case	11-14-318	1
7	AK-05-001	Gasket	11-14-318	1
8	AK-50-602	Valve	11-14-318	1
9	14-950-164	Nipple	14-950-390-02	1
	AK-50-204	Valve	14-950-390-02	1
10	11-14-20	Valve	AK-50-204	1
11	11-14-22	Plate	AK-50-204	1
12	AK-50-802	Seat	AK-50-204	1
13	AK-50-803	Spring	AK-50-204	1
14	AK-50-804	Spring	AK-50-204	1
15	AK-50-11	Pin	AK-50-204	1
16	AK-50-12	Nut	AK-50-204	1
17	14-950-460	Cylinder tr.I	14-950-390-02	1
	AK-50-223-01	Crankcase	14-950-390-02	1
18	00-01-502	Bolt	AK-50-223-01	17
19	00-05-58	Safety	AK-50-223-01	5
20	10-15-17	Crankcase	AK-50-223-01	1
21	66-RD-1	Nut	AK-50-223-01	12
	AK-50-222	Crankcase	AK-50-223-01	1
22	AK-50-31	Crankcase	AK-50-222	1
23	2-RD-2	Bolt	AK-50-222	3
24	KO-2042	Bolt	AK-50-222	2
	AK-50-228-01	Piston	14-950-390-02	1

No.	Part number	Nomenclature	Assembly	U/a.
25	14-950-073	Ring	AK-50-228-01	5
26	14-950-123	Spring	AK-50-228-01	1
27	14-950-124	Case	AK-50-228-01	1
28	AK-50-14	Washer	AK-50-228-01	1
29	AK-50-15	Nut	AK-50-228-01	1
30	AK-50-33	Ring	AK-50-228-01	5
31	AK-50-601	Spring	AK-50-228-01	1
32	AK-50-602	Valve	AK-50-228-01	1
33	AK-50-227-01	Piston	AK-50-228-01	1
34	AK-04-501	Safety	14-950-390-02	1
35	AK-05-002	Gasket	14-950-390-02	2
36	AK-05-003	Gasket	14-950-390-02	1
37	AK-05-004	Gasket	14-950-390-02	1
38	AK-50-04	Case	14-950-390-02	1
39	AK-50-05	Filter	14-950-390-02	2
40	AK-50-06	Filter element	14-950-390-02	1
41	AK-50-07	Safety	14-950-390-02	1
42	AK-50-400	Connecting rod	14-950-390-02	1
	AK-50-700	Pin	14-950-390-02	1
43	AK-50-701	Pin	AK-50-700	1
44	AK-50-702	Cover	AK-50-700	2
45	AK-59-901	Eccentric	14-950-390-02	1
46	AK-59-902	Crank pin	14-950-390-02	1
47	AK-59-906	Nut	14-950-390-02	1
48	AK-59-907	Nut	14-950-390-02	1
49	66-RD-1	Nut	14-950-390-02	5
50	KO-158	Screw	14-950-390-02	4
51	3402A-0,5-4-6	Washer	14-950-390-02	4
52	4.65G.05	Washer	14-950-390-02	4
	GOST6402-70			

No.	Part number	Nomenclature	Assembly	U/a.
53	6.65G.05 GOST6402-70	Washer	14-950-390-02	12
54	A204 ETU 100/3	Bearing	14-950-390-02	2
55	2,5X13,8 III ETU 100/7-u	Needle	14-950-390-02	50

AIR START LINES AND CYLINDER START VALVES

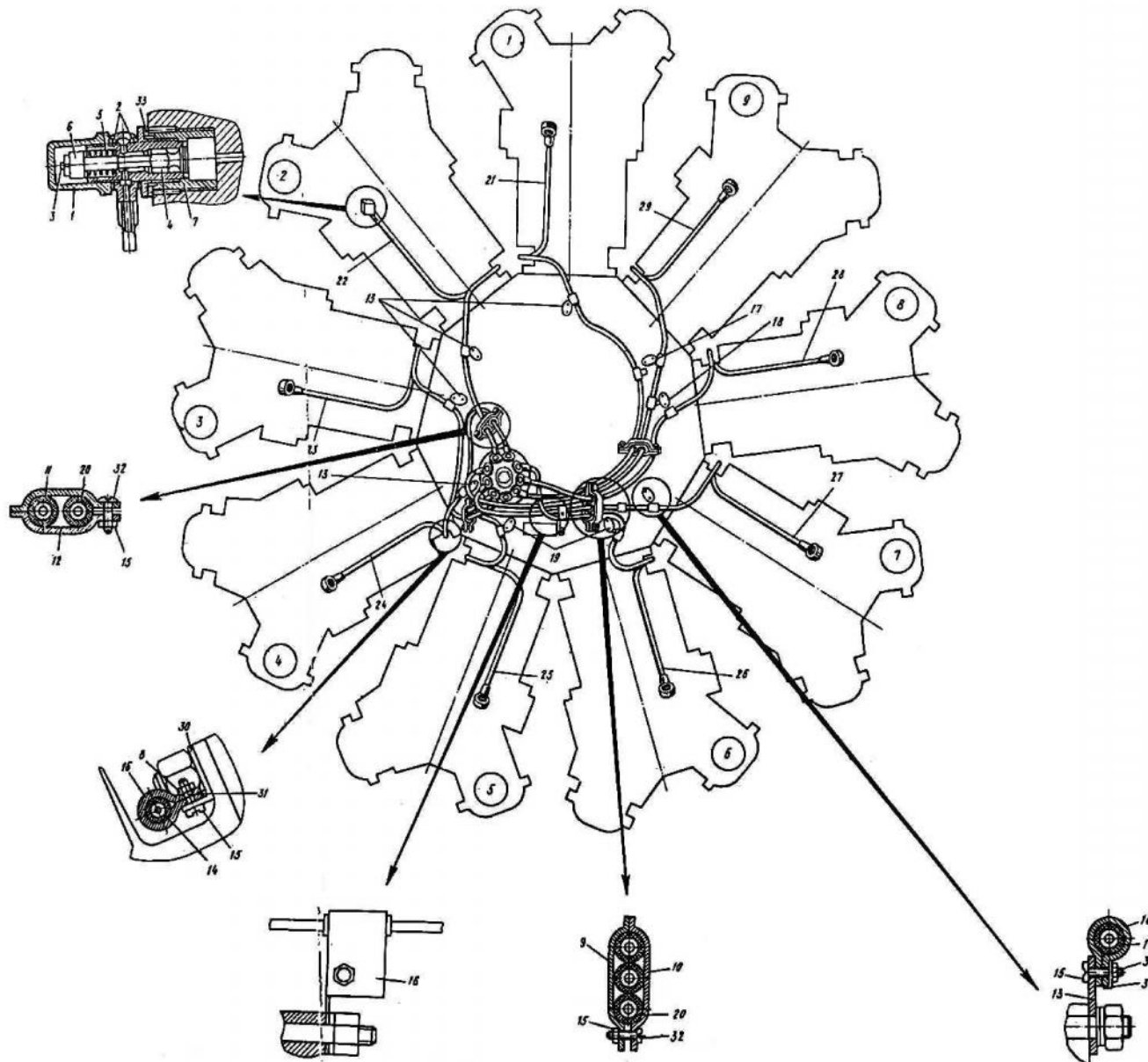
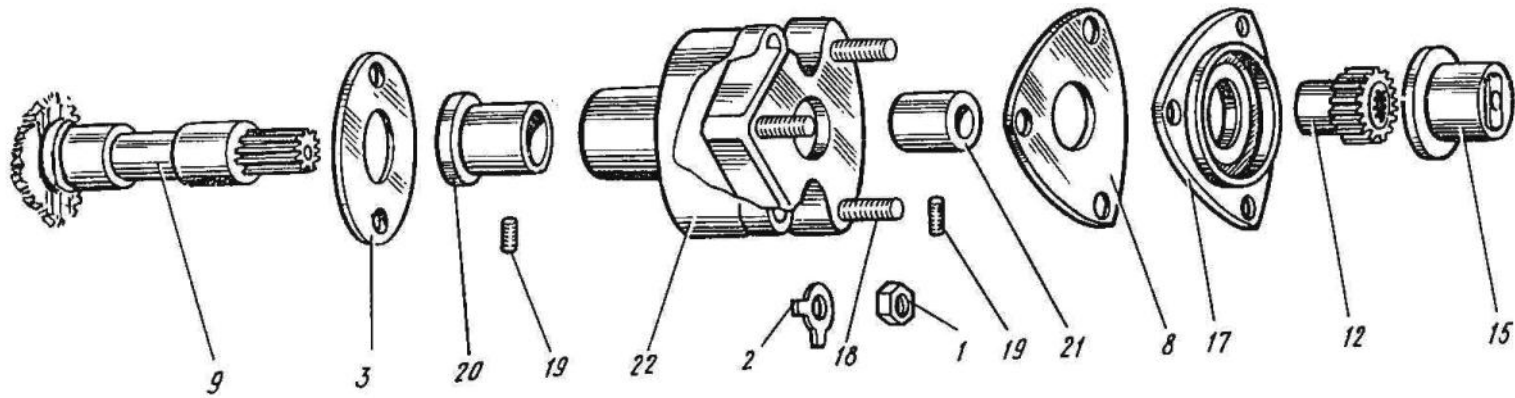


Fig. C1-1

No.	Part number	Nomenclature	Assembly	U/a.
	14-000-400	Engine M-14P		1
1	14-27-503	Cover	14-000-400	9
2	14-27-531	Gasket	14-000-400	18
	14-27-602	Start valve	14-000-400	9
3	00-711-12	Split	14-27-602	1
4	14-27-48	Valve	14-27-602	1
5	14-27-49	Spring	14-27-602	1
6	14-27-51	Nut	14-27-602	1
7	14-27-501	Case	14-27-602	1
	14-627-19-01	Pipes-line	14-000-400	1
8	00-03-34	Nut	14-627-19-01	26
9	11-04-43	Collar	14-627-19-01	1
10	11-04-44	Collar	14-627-19-01	1
11	11-04-45	Collar	14-627-19-01	4
12	11-04-46	Collar	14-627-19-01	4
13	12-27-25	Ring	14-627-19-01	5
14	12-27-26	Gasket	14-627-19-01	21
15	14-27-28	Screw	14-627-19-01	21
16	14-27-29	Collar	14-627-19-01	21
17	14-27-715	Ring	14-627-19-01	1
18	14-27-716	Ring	14-627-19-01	1
19	14-317-26	Safety	14-627-19-01	2
20	14-327-16	Pipe-line	14-627-19-01	12
21	14-627-20	Pipe-line cyl. 1	14-627-19-01	1
22	14-627-21	Pipe-line cyl. 2	14-627-19-01	1
23	14-627-22	Pipe-line cyl. 3	14-627-19-01	1
24	14-627-23	Pipe-line cyl. 4	14-627-19-01	1
25	14-627-24	Pipe-line cyl. 5	14-627-19-01	1
26	14-627-25	Pipe-line cyl. 6	14-627-19-01	1

No.	Part number	Nomenclature	Assembly	U/a.
27	14-627-26	Pipe-line cyl. 7	14-627-19-01	1
28	14-627-27	Pipe-line cyl. 8	14-627-19-01	1
29	14-627-28	Pipe-line cyl. 9	14-627-19-01	1
30	15-04-22	Safety	14-627-19-01	9
31	26-28-23	Safety	14-627-19-01	21
32	112-08-26	Screw	14-627-19-01	5
33	AK-05-001	Gasket	14-000-400	9
34	14-627-138	Collar	14-000-400	1

AIR START DISTRIBUTOR AND DRIVE



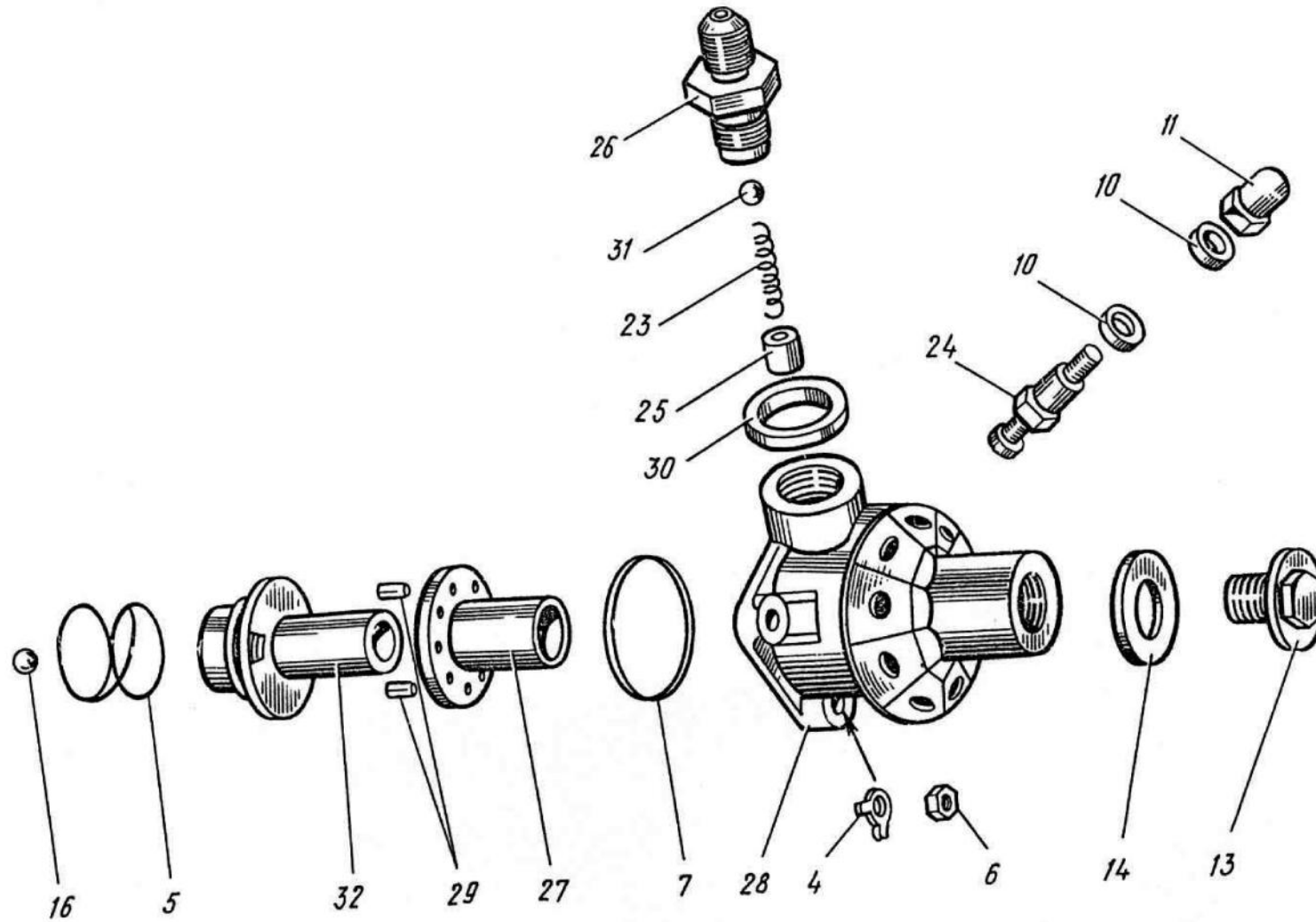


Fig.C1-2

No.	Part number	Nomenclature	Assembly	U/a.
	14-011-340	Hinder cover	14-000-400	1
1	00-03-58	Nut	14-011-340	2
2	00-05-58	Safety	14-011-340	2
3	10-11-50	Gasket	14-011-340	1
	14-627-02	Air distributor	14-011-340	1
4	00-05-57	Safety	14-627-02	3
5	14-27-08	Spring	14-627-02	1
6	14-27-12	Nut	14-627-02	3
7	14-27-711	Ring	14-627-02	1
8	14-27-537	Gasket	14-627-02	1
9	14-27-714	Pinion	14-627-02	1
10	14-27-706	Gasket	14-627-02	18
11	14-27-709	Nut	14-627-02	9
12	14-227-11	Coupling	14-627-02	1
13	14-327-14	Plug	14-627-02	1
14	14-327-15	Gasket	14-627-02	1
15	14-327-106	Bearing step	14-627-02	1
16	5-60 GOST 3722	Ball	14-327-106	1
17	14-427-06	Plate	14-627-02	1
	14-427-102	Case	14-627-02	1
18	00-01-600	Bolt	14-427-102	3
19	00-12-11	Bolt	14-427-102	2
20	10-11-49	Bushing	14-427-102	1
21	14-27-713	Bushing	14-427-102	1
22	14-227-12	Case	14-427-102	1
	14-627-01	Cover	14-627-02	1
23	11-04-75	Spring	14-627-01	1
24	14-27-705	Fitting	14-627-01	9
25	14-27-712	Bushing	14-627-01	1

No.	Part number	Nomenclature	Assembly	U/a.
26	14-627-100	Fitting	14-627-01	1
27	14-727-01	Bushing	14-627-01	1
28	14-727-03	Cover	14-627-01	1
29	73-RD-04	Checking pin	14-627-01	2
30	AK-05-003	Gasket	14-627-01	1
31	III 6 mm N GOST 3722	Roller	14-627-01	1
32	14-727-02	Slide-valve	14-627-02	1